



EnerRocket™

CONTINUOUSLY SAFEGUARDING

ESC 200-12 FR

SMF VRLA RECHARGEABLE BATTERY

**LONG
LIFE
SERIES**

APPLICATIONS

- UPS Systems
- Telecommunication Systems
- Fire Alarm Safety & Security Systems
- Medical Equipment

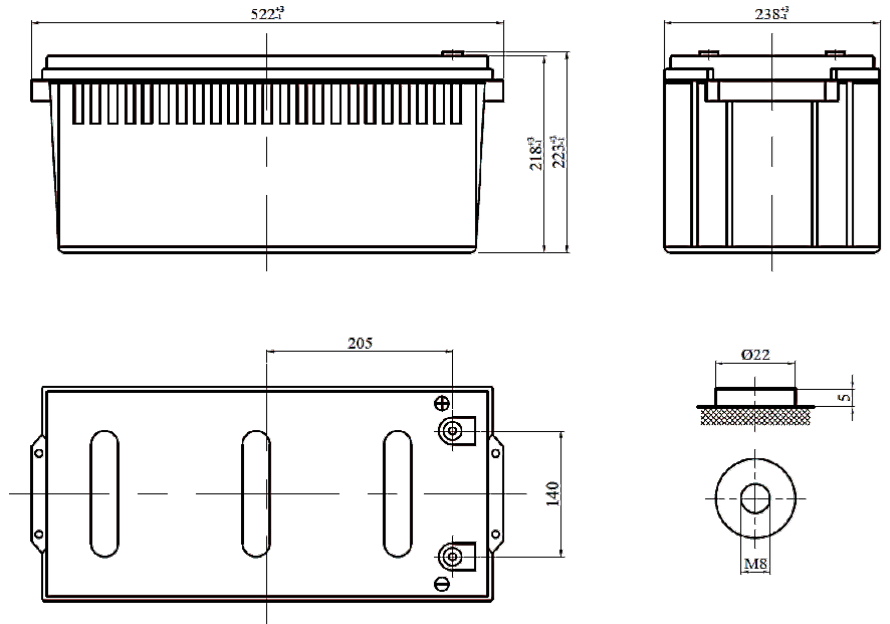
COMPLIANCE STANDARDS

- IEC 60896 PART 21 & 22
- Design Life as per Eurobat Standards

TECHNICAL FEATURES



- Non-Spillable Sealed Construction
- Absorptive Glass Mat System (AGM System)
- ABS (Acrylonitrile Butadiene Styrene) Construction
- Gas Recombination
- Venting System for low internal pressure
- Low Self-Discharge
- Heavy-Duty, Highly Optimized Grids
- High Power Output
- Wide Operating Temperature
- Maintenance-Free Operation



SPECIFICATIONS

Length	Width	Height	Total Height	Weight (kg)
522 mm	238 mm	218 mm	223 mm	59.1 Kg ±5%

CHARACTERISTICS

Nominal Voltage	12 V	
Design Life	12 Years	
Capacity 25°C	10 Hour rate	200 Ah
Internal Resistance (25°C,100% Charge)	<4.0 mΩ	
Self Discharge (20°C)	1 Month	Remaining Capacity 97%
Operating Temperature	Discharge	-20°C - 60°C
	Charge	-10°C - 60°C
	Storage	-20°C - 60°C
Normal Operating Temperature	25°C ± 2°C	
Maximum Discharge current	1000A (5sec)	
Maximum Charging current	60A	
Short Circuit current	3300A	
Charge Methods Constant Voltage Charge 77°F (25°C) - Cycle Use	14.4 to 14.7V	
	Temp. Compensation -30mV/°C	
Charge Methods Constant Voltage Charge 77°F (25°C) - Standby Use	13.4 to 13.8V	
	Temp. Compensation -20mV/°C	

CONSTANT CURRENT DISCHARGE (Amperes) AT 25 °C

End Cell Voltage / Cell	10 Min	15 min	20 min	30 min	60 min	1.5 h	2 h	3 h	4 h	5 h	10 h
1.60	425	374	314	227	144	105	80	57	44	36.90	21.10
1.65	401	351	296	212	138	100	75	54	43	36.20	20.90
1.70	384	333	279	200	131	95	72	52	41	35.40	20.70
1.75	363	310	263	189	124	90	68	50	40	34.70	20.40
1.80	337	286	243	176	118	85	64	48	39	33.90	20.00

CONSTANT POWER DISCHARGE (Watts) AT 25 °C

End Cell Voltage / Cell	10 min	15 min	20 min	30 min	60 min	1.5 h	2 h	3 h	4 h	5 h	10 h
1.60	740	650	546	395	252	183	138	98	82	70.30	42.30
1.65	720	630	530	380	247	179	135	97	79	69.70	42.10
1.70	710	615	515	370	242	175	132	96	77	69.10	40.80
1.75	690	590	500	360	236	171	129	94	75	68.60	40.60
1.80	660	560	475	345	231	166	125	93	73	68.10	39.90

