

# 19" PROline 300 Series Free Standing Cabinets



**Free Standing PROline 300 Series Cabinets  
12U/16U/20U/22U W600xD600mm and  
W600xD800mm**

Multi folded modular design clamped with screws, coted with RAL 9005 epoxy polyester powder.

Single point barrel locking glass front door and metal rear door. Removable side panels are lockable.

1 set of 19" front depth adjustable equipment mounting rails & 1 set of 19" rear fixed equipment mounting rails, U height numbered.

Two 70x140mm PVC and brushed cable entrances located at the top and bottom of the cabinet, swappable during the field applications.

Ventilation slots that can mount single or double fan modules for forced ventilation.

Front glass door is covered by EN 12150-1 standard with 4,0mm thick anti-static tinted smoke tempered glass and metal frame.

Maximum load capacity up to 600 kg.

4 adjustable feet group included, replaceable by a castor set (optional).

## Production Standards :

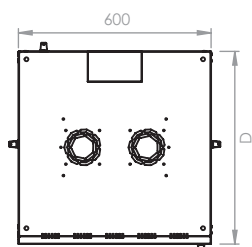
- ISO 9001:2015 - Quality Management System
- ISO 14001:2015 - Environmental Management System

## Compliance:

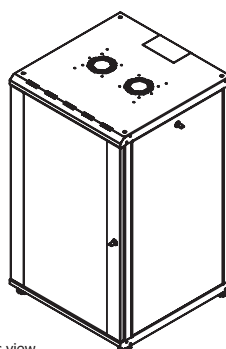
- EN 61587-1 Mechanical structures for electronic equipment - Tests for IEC 60917 and IEC 60297 series
- Climatic and Environment: EN 61587-1/4.2, IEC60068-2-1, IEC60068-2-2, IEC60068-2-30
- Static Mechanical Load Lifting: EN 61587-1/5.2.1
- Static Mechanical Load Stiffness: EN 61587-1/5.2.2
- Dynamic Mechanical Load Vibration and Shock, Impact: EN61587-1/5.3.1, EN61587-1/5.3.3, IEC60068-2-6, IEC60068-2-27
- Earth Bond: EN61587-1/6.2
- Flammability: EN 61587-1/6.3
- Degrees of Protection Provided by Enclosures (Ip Code): IP20
- EN 13501-1+ A1- Epoxy Powder coated compliant to Fire classification of construction products and building elements -Part 1: Classification using data from reaction to fire tests
- Epoxy Powder coating tested as per EN ISO 9227 and ASTM B 117 Corrosion tests in artificial atmospheres - Salt spray tests; minimum 1000 hours
- EN ISO 2409 Paints and varnishes - Cross-cut test
- EN ISO 2178 Non-magnetic coatings on magnetic substrates -
- Measurement of coating thickness - Magnetic method
- RoHS Compliancy according to 2011/65/EU
- CE Compliant to EN 60950-1



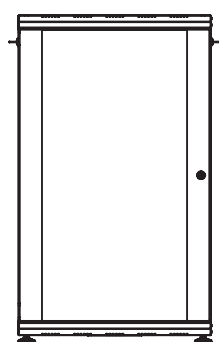
# 19" PROline 300 Series Free Standing Cabinets



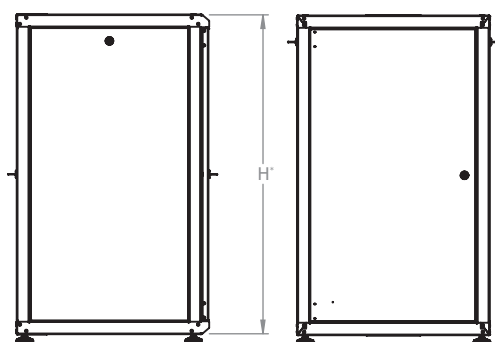
Top view



Isometric view

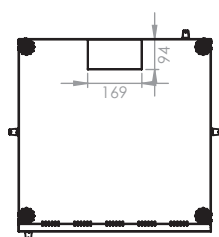


Front view

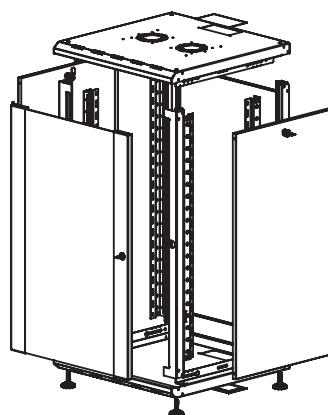


Side view

Rear view



Bottom view



Exploded view



## PROline 300 Free Standing

Product Number	Dimensions WxDxH mm	Package Size WxDxH mm	Product Description
LN-PR12U6060-BL-121	600x600x640	650x650x656	12U W600mm x D600mm Free Standing Cabinet
LN-PR16U6060-BL-121	600x600x818	650x650x834	16U W600mm x D600mm Free Standing Cabinet
LN-PR20U6060-BL-121	600x600x996	650x650x1012	20U W600mm x D600mm Free Standing Cabinet
LN-PR22U6060-BL-121	600x600x1085	650x650x1101	22U W600mm x D600mm Free Standing Cabinet

## PROline 300 Free Standing

Product Number	Dimensions WxDxH mm	Package Size WxDxH mm	Product Description
LN-PR12U6080-BL-121	600x800x640	650x850x656	12U W600mm x D800mm Free Standing Cabinet
LN-PR16U6080-BL-121	600x800x818	650x850x834	16U W600mm x D800mm Free Standing Cabinet
LN-PR20U6080-BL-121	600x800x996	650x850x1012	20U W600mm x D800mm Free Standing Cabinet
LN-PR22U6080-BL-121	600x800x1085	650x850x1101	22U W600mm x D800mm Free Standing Cabinet

\* H length can be checked from the product dimensions.

# ACCESSORIES

Fan Modules for wall mounting cabinets, plug and play without reconfiguration, available with on/off switches or automatic analog thermostat . Each fan has an air flow capacity of 2,3-3 cbm/min. Fan technical data: 18/17 W, 220/240 VAC, 50/60 Hz, 013/0,11 A,2300/3000 rpm 42 dB noise level, Fan lifetime span: 50.000 hours.



### FAN MODULE ON/OFF SWITCHED BALL BEARING LONG LIFE FAN - 50.000 HOURS - FEATURES

Part Number	Category	Product Description
LN-FAN-ONF-1FWM-CC	Accessory	1 Fan Module on/off switched Wall Mounting Type
LN-FAN-ONF-2FWM-CC	Accessory	2 Fan Module on/off switched Wall Mounting Type

### FAN MODULE THERMOSTAT SWITCHED BALL BEARING LONG LIFE FAN - 50.000 HOURS - FEATURES

Part Number	Category	Product Description
LN-FAN-THM-1FWM-CC	Accessory	1 Fan Module thermostat switched Wall Mounting Type
LN-FAN-THM-2FWM-CC	Accessory	2 Fan Module thermostat switched Wall Mounting Type

\*CC= Color codification- Replace CC with BL for Black RAL 9005 Color- and Replace CC with LC for Light Grey RAL 7035 Color.

### FAN MODULE ON/OFF SWITCHED BALL BEARING LONG LIFE FAN - 50.000 HOURS - ECONOMIC

Part Number	Category	Product Description
LN-FAN-BB-1FPR-CC	Accessory	1 way Fan Module On/off Switched
LN-FAN-BB-2FPR-CC	Accessory	2 way Fan Module On/off Switched

### FAN MODULE THERMOSTAT CONTROLLED BALL BEARING LONG LIFE FAN - 50.000 HOURS - ECONOMIC

Part Number	Category	Product Description
LN-FAN-BB-1FPT-CC	Accessory	1 way Fan Module Thermostat Controlled
LN-FAN-BB-2FPT-CC	Accessory	2 way Fan Module Thermostat Controlled

\*CC= Color codification- Replace CC with BL for Black RAL 9005 Color- and Replace CC with LC for Light Grey RAL 7035 Color.



### ECONOMIC EXTENDABLE FAN MODULES - NO ANY METAL HOUSING - BALL BEARING LONG LIFE FAN - 50.000 HOURS - ECONOMIC+

Part Number	Category	Product Description
LN-FAN-HL-1FBB-M	Accessory	Single Fan - with Grill- 1,8meter Power Cable DIN49441 Schuko Plug and Extention Terminal Male - Ball Bearing Long life Fan
LN-FAN-HL-1FBB-E	Accessory	Single Fan - with Grill- Extention Terminal Female - Ball Bearing Long life Fan

\*\*\* LN-FAN-HL-1FBB-E is Just a fan for making cabinet equipped with 2 fans- used with main product.