

19" SAFEBOX-B IP55 Indoor-Outdoor Cabinets



19" SAFEBOX-B IP55

Indoor Wall Mounting Cabinets

The SAFEBOX-B IP55 Indoor Wall Mounting Cabinets are designed for industrial applications. Based on EN 60529 provided IP55 protection class against dust and water ingress. The enclosure provides IP55 protection against dust and water, with fan and filter integration performance to IP54. Application areas are semi-open areas like factories, warehouses, lean to roof conditions, where no direct rain and environmental affect the cabinet.

Features

- Monoblock welded construction, with polyester type powder coating which is RAL 7035 Light Grey colour.
- 7U and 9U models contain single point turn locking system and 12U and 16U models contain a double single point turn locking system. The lock systems accommodate a central cylinder lock which unlocks with a cylindrical key.
- Shipping configuration accommodates 2 pieces 1 set 19" equipment mounting rails.
- The base of the cabinet is equipped with a filtered air inlet and 4 x PG21 cable entry compatible blind plugs. Top part is filtered for passive ventilation and hot air exhaust. If required, the filters can be replaced with fan or a thermostat switched single fan can be included to shipment as an accessory.
- Wall mounting brackets are included, as mounting applications vary wall mounting screws are not included with shipment. An earth cable is included for grounding between main body and front door.
- Metal front door with polyurethane sealing gasket provides EN 60529 IP54/IP55 class protection. IP class can be upgraded to IP66 by replacing fan ventilation slots with cover plates to seal ventilation cut outs.
- Maximum load capacity is 300 kgs on the wall and 800 kgs on the ground.
- As an option the cabinet can be floor mounted by using a plinth. Manufactured in width W:600 mm; depth D:300 mm / 450 mm / 600 mm; height H:7U-9U-12U-16U.
- An internal rear mounting plate can be purchased as an optional extra for mounting industrial or electrical equipments when 19" mounting is not required.
- Manufactured only with single skin option. Please check other product groups for double skin cabinets.

Standards

- ISO 9001
- TSE: EN 61587-1 mechanical structures for electronic equipment - Tests for EN IEC 60917 and EN IEC 60297 series
- Climatic and environment: EN 61587-1/4.2, IEC 60068-2-1, IEC 60068-2-2, IEC 60068-2-30
- EIA/ ECA-310 (D/E) 19" 482,6mm and U 44,45mm Height Sizing
- Static mechanical load lifting: EN 61587-1/5.2.1
- Static mechanical load stiffness: EN 61587-1/5.2.2
- Dynamic mechanical load vibration and shock, impact: EN 61587-1/5.3.1, EN 61587-1/5.3.3, IEC 60068- 2-6, IEC 60068-2-27
- Earth bond: EN 61587-1/6.2
- Flammability: EN 61587-1/6.3
- IP protection class (IP code): IP55, EN 61587-1/6.4 and EN 60529
- IP protection class (IK code): IK10; EN 62262

Standard Color:



RAL 7035 Light Grey



19" SAFEBOX-B IP55

Indoor Wall Mounting Cabinets

SAFEBOX-B IP55 Indoor Cabinets W:600 mm D:300 mm

| Product Number | Series | Description | Width (mm) | Depth (mm) | Height (mm) | Cable Entry (QTY) | Lock (QTY) |
|-----------------------|------------------|---|------------|------------|-------------|-------------------|------------|
| LN-ESI-IP5507U6030-LG | SAFEBOX-B Series | 7U 19" Indoor SAFEBOX-B IP55 Wall Mounting Cabinet W=600 mm D=300 mm | 600 | 300 | 411 | 4 | 1 |
| LN-ESI-IP5509U6030-LG | SAFEBOX-B Series | 9U 19" Indoor SAFEBOX-B IP55 Wall Mounting Cabinet W=600 mm D=300 mm | 600 | 300 | 500 | 4 | 1 |
| LN-ESI-IP5512U6030-LG | SAFEBOX-B Series | 12U 19" Indoor SAFEBOX-B IP55 Wall Mounting Cabinet W=600 mm D=300 mm | 600 | 300 | 633 | 4 | 2 |
| LN-ESI-IP5516U6030-LG | SAFEBOX-B Series | 16U 19" Indoor SAFEBOX-B IP55 Wall Mounting Cabinet W=600 mm D=300 mm | 600 | 300 | 811 | 4 | 2 |

SAFEBOX-B IP55 Indoor Cabinets W:600 mm D:450 mm

| Product Number | Series | Description | Width (mm) | Depth (mm) | Height (mm) | Cable Entry (QTY) | Lock (QTY) |
|-----------------------|------------------|---|------------|------------|-------------|-------------------|------------|
| LN-ESI-IP5507U6045-LG | SAFEBOX-B Series | 7U 19" Indoor SAFEBOX-B IP55 Wall Mounting Cabinet W=600 mm D=450 mm | 600 | 450 | 411 | 4 | 1 |
| LN-ESI-IP5509U6045-LG | SAFEBOX-B Series | 9U 19" Indoor SAFEBOX-B IP55 Wall Mounting Cabinet W=600 mm D=450 mm | 600 | 450 | 500 | 4 | 1 |
| LN-ESI-IP5512U6045-LG | SAFEBOX-B Series | 12U 19" Indoor SAFEBOX-B IP55 Wall Mounting Cabinet W=600 mm D=450 mm | 600 | 450 | 633 | 4 | 2 |
| LN-ESI-IP5516U6045-LG | SAFEBOX-B Series | 16U 19" Indoor SAFEBOX-B IP55 Wall Mounting Cabinet W=600 mm D=450 mm | 600 | 450 | 811 | 4 | 2 |

SAFEBOX-B IP55 Indoor Cabinets W:600 mm D:600 mm

| Product Number | Series | Description | Width (mm) | Depth (mm) | Height (mm) | Cable Entry (QTY) | Lock (QTY) |
|-----------------------|------------------|---|------------|------------|-------------|-------------------|------------|
| LN-ESI-IP5507U6060-LG | SAFEBOX-B Series | 7U 19" Indoor SAFEBOX-B IP55 Wall Mounting Cabinet W=600 mm D=600 mm | 600 | 600 | 411 | 4 | 1 |
| LN-ESI-IP5509U6060-LG | SAFEBOX-B Series | 9U 19" Indoor SAFEBOX-B IP55 Wall Mounting Cabinet W=600 mm D=600 mm | 600 | 600 | 500 | 4 | 1 |
| LN-ESI-IP5512U6060-LG | SAFEBOX-B Series | 12U 19" Indoor SAFEBOX-B IP55 Wall Mounting Cabinet W=600 mm D=600 mm | 600 | 600 | 633 | 4 | 2 |
| LN-ESI-IP5516U6060-LG | SAFEBOX-B Series | 16U 19" Indoor SAFEBOX-B IP55 Wall Mounting Cabinet W=600 mm D=600 mm | 600 | 600 | 811 | 4 | 2 |

Thermostat Switched Analog Fan Module - 220 V AC

| Product Number | Series | Description | Dimensions WxDxH mm |
|---------------------|-----------|--|---------------------|
| LN-FAN-THM-1FSBE-LG | Accessory | Thermostat switched single fan module for SAFEBOX-B wall mounting cabinets, filtered | 495x175x50 |
| LN-FAN-THM-2FSBE-LG | Accessory | Thermostat switched double fan module for SAFEBOX-B wall mounting cabinets, filtered | 495x175x50 |

Ground Applications - H:100 mm Plinth

| Product Number | Series | Description | Dimensions WxDxH mm |
|-----------------|-----------|---|---------------------|
| LN-PLNTH-D30-LG | Accessory | Plinth H100mm W600xD300 mm for SAFEBOX-B Cabinets RAL 7035 Light Grey | 600x300x100 |
| LN-PLNTH-D45-LG | Accessory | Plinth H100mm W600xD450 mm for SAFEBOX-B Cabinets RAL 7035 Light Grey | 600x450x100 |
| LN-PLNTH-D60-LG | Accessory | Plinth H100mm W600xD600 mm for SAFEBOX-B Cabinets RAL 7035 Light Grey | 600x600x100 |

Mounting Plates for SAFEBOX-B Cabinets

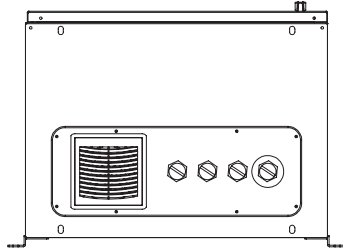
| Product Number | Series | Description | Dimensions WxDxH mm |
|------------------|-----------|---|----------------------|
| LN-TS-07U-SBE-ZN | Accessory | 7U mounthing plate, for industrial eqiptment mounting to the back panel of SAFEBOX-B cabinet - zinc coated | t1,0 mm H350 W575 mm |
| LN-TS-09U-SBE-ZN | Accessory | 9U mounthing plate, for industrial eqiptment mounting to the back panel of SAFEBOX-B cabinet - zinc coated | t1,0 mm H440 W575 mm |
| LN-TS-12U-SBE-ZN | Accessory | 12U mounthing plate, for industrial equipment mounting to the back panel of SAFEBOX-B cabinet - zinc coated | t1,0 mm H570 W575 mm |
| LN-TS-16U-SBE-ZN | Accessory | 16U mounthing plate, for industrial equipment mounting to the back panel of SAFEBOX-B cabinet - zinc coated | t1,0 mm H748 W575 mm |

To be mounted to tahe back panel of the cabinet - Allows industrial equipment - electrical components - DIN rails mounting.

19" SAFEBOX-B IP55

Indoor Wall Mounting Cabinets

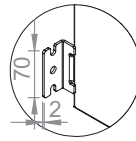
Technical Drawings



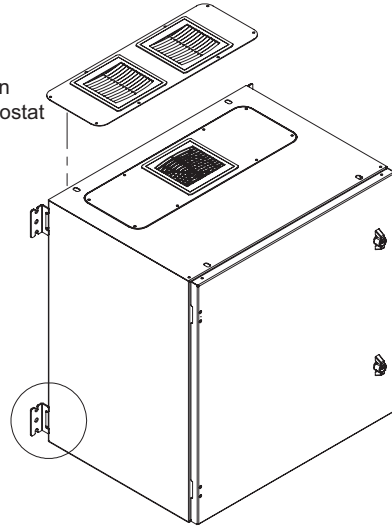
Bottom view



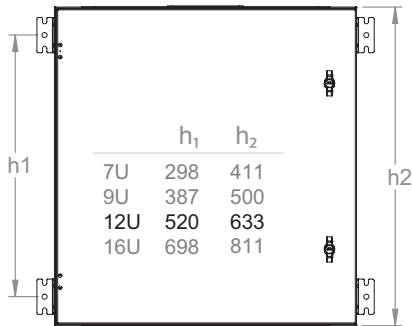
Blind plugs compatible with PG21



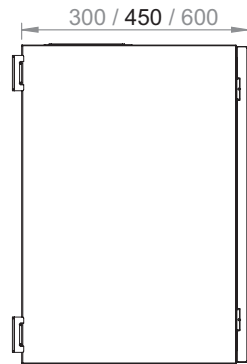
Accessory option
2 fan with thermostat fan module



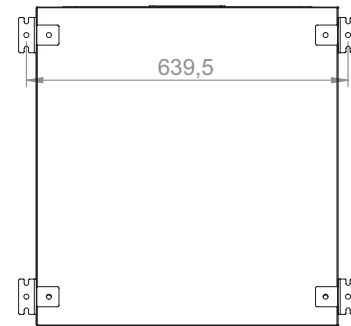
Isometric view



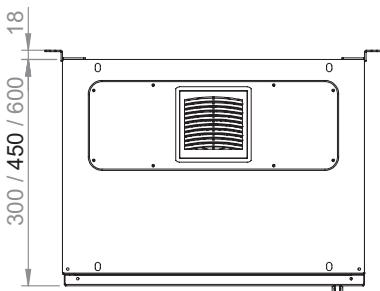
Front view



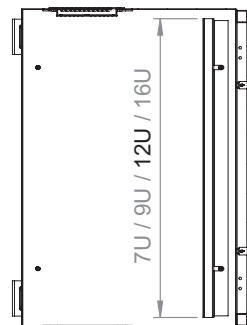
Side view



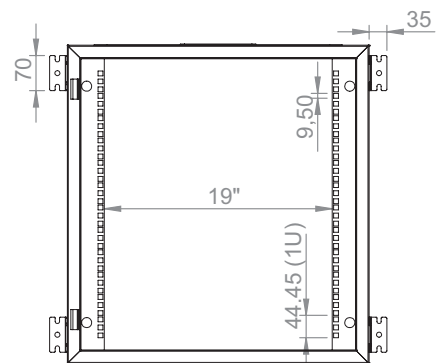
Rear view



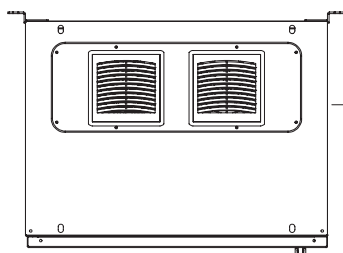
Top view



Interior view - side



Interior view - front

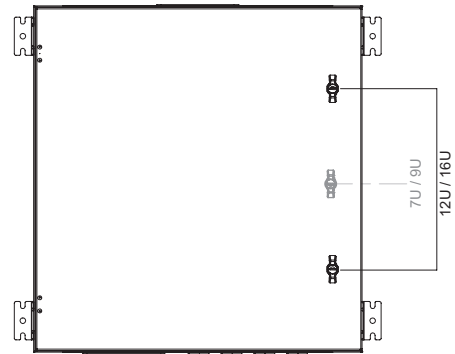
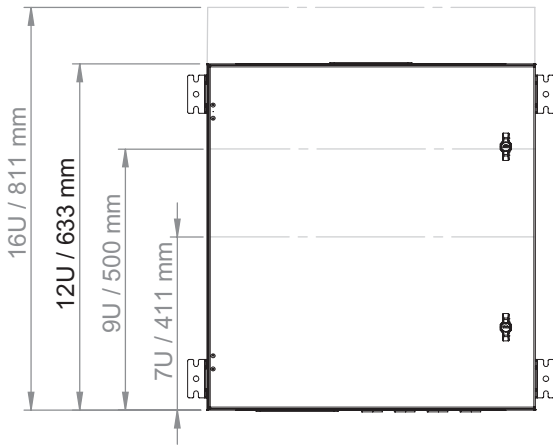
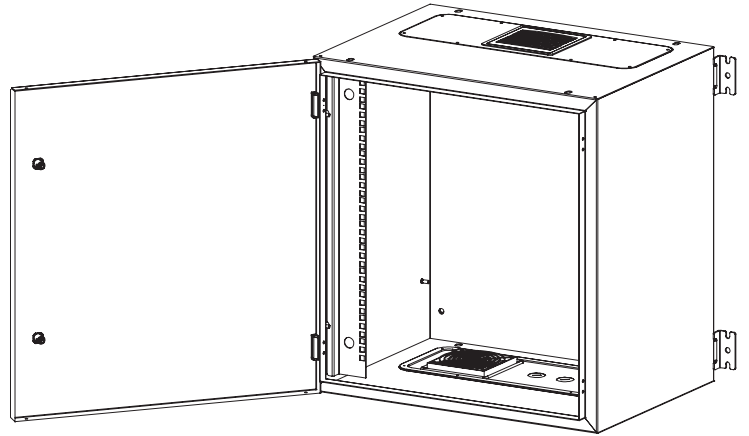
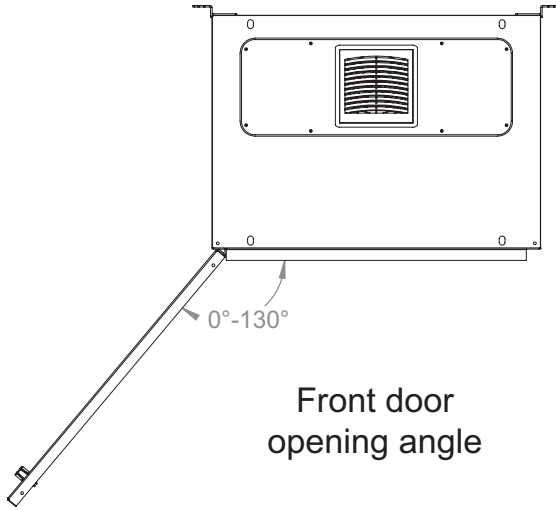


Accessory option
2 fan with thermostat fan module

19" SAFEBOX-B IP55

Indoor Wall Mounting Cabinets

Technical Drawings

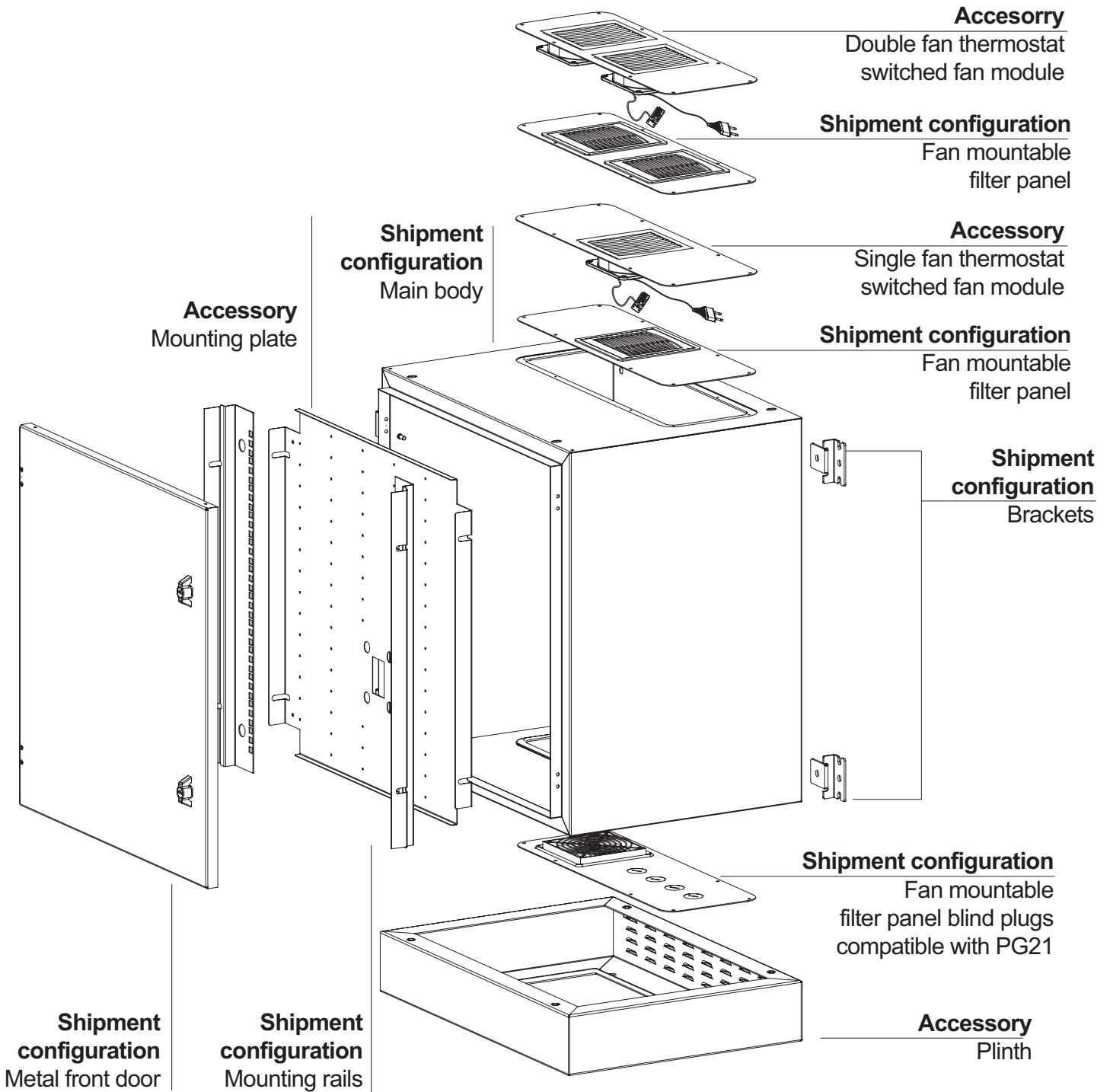


19" SAFEBOX-B IP55

Indoor Wall Mounting Cabinets

Construction Drawings

INDOOR CABINETS SHIPMENT CONFIGURATION and OPTIONAL ACCESSORIES



Exploded view

19" SAFEBOX-B IP55

Outdoor Single and Double Skin Cabinets

The SAFEBOX-B IP55 Outdoor Cabinets are designed for industrial applications. Based on EN 60529 provided IP55 protection class against dust and water ingress. With fan and filter integration, enclosure provides IP54 protection against dust and water. Enclosure provides protection against extraneous objects (things that might fall in, dust carried by wind) and water (rain, slush, snow, bluish) which might damage the internal equipment.

Features

- Monoblock welded construction, with polyester type powder coating which is RAL 7035 Light Grey colour.
- 7U and 9U models contain single point turn locking system and 12U and 16U models contain a double single point turn locking system. The lock systems accommodate a central cylinder lock which unlocks with a cylindrical key.
- Shipping configuration accommodates 2 pieces 1 set 19" equipment mounting rails.
- The base of the cabinet is equipped with a filtered air inlet and 4 x PG21 cable entry compatible blind plugs. Top part is filtered for passive ventilation and hot air exhaust. If required, the filters can be replaced with fan or a thermostat switched single fan can be included to shipment as an accessory. Model also contains a roof canopy with gasket for dust and liquid protection.
- Wall mounting brackets are included, as mounting applications vary wall mounting screws are not in the shipping configuration because they can vary depending on the mounting area. Single yellow/green cable for grounding between main body and front door is included.
- Metal front door with polyurethane sealing gasket provides EN 60529 IP54/IP55 class protection. IP class can be upgraded to IP66 by replacing fan ventilation slots with cover plates to seal ventilation cut outs.
- Maximum load capacity is 300 kgs on the wall and 800 kgs on the ground.
- As an option the cabinet can be floor mounted by using a plinth. If required, pole mounting kit can be ordered for 4-6" diameter poles.
- Manufactured in width W: 600 mm; depth D:300 mm / 450 mm / 600 mm; height H: 7U-9U-12U-16U.
- An internal rear mounting plate can be purchased as an optional extra for mounting industrial or electrical equipments when 19" mounting is not required. This accessory is available for standard shipment configuration, not available for double skin cabinets.
- Manufactured with single and double skin options.

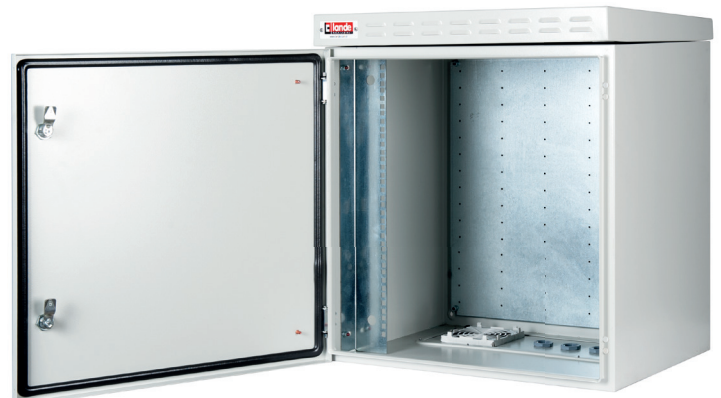
Standards

- ISO 9001
- TSE: EN 61587-1 mechanical structures for electronic equipment - Tests for EN IEC 60917 and EN IEC 60297 series
- Climatic and environment: EN 61587-1/4.2, IEC 60068-2-1, IEC 60068-2-2, IEC 60068-2-30
- EIA/ ECA-310 (D/E) 19" 482,6mm and U 44,45mm Height Sizing
- Static mechanical load lifting: EN 61587-1/5.2.1
- Static mechanical load stiffness: EN 61587-1/5.2.2
- Dynamic mechanical load vibration and shock, impact: EN 61587-1/5.3.1, EN 61587-1/5.3.3, IEC 60068- 2-6, IEC 60068-2-27
- Earth bond: EN 61587-1/6.2
- Flammability: EN 61587-1/6.3
- IP protection class (IP code): IP55, EN 61587-1/6.4 and EN 60529
- IK protection class (IK code): IK10; EN 62262

Standard Color:



RAL 7035 Light Grey



19" SAFEBOX-B IP55

Outdoor Single Skin Cabinets

SAFEBOX-B IP55 Outdoor Single Skin Cabinets W:600 mm D:300 mm

| Product Number | Series | Description | Width (mm) | Depth (mm) | Height (mm) | Cable Entry (QTY) | Lock (QTY) |
|-----------------------|------------------|--|------------|------------|-------------|-------------------|------------|
| LN-ESO-IP5507U6030-LG | SAFEBOX-B Series | 7U 19" Outdoor Single Skin SAFEBOX-B IP55 Wall Mounting Cabinet W=600 mm D=300 mm | 600 | 300 | 471 | 4 | 1 |
| LN-ESO-IP5509U6030-LG | SAFEBOX-B Series | 9U 19" Outdoor Single Skin SAFEBOX-B IP55 Wall Mounting Cabinet W=600 mm D=300 mm | 600 | 300 | 560 | 4 | 1 |
| LN-ESO-IP5512U6030-LG | SAFEBOX-B Series | 12U 19" Outdoor Single Skin SAFEBOX-B IP55 Wall Mounting Cabinet W=600 mm D=300 mm | 600 | 300 | 693 | 4 | 2 |
| LN-ESO-IP5516U6030-LG | SAFEBOX-B Series | 16U 19" Outdoor Single Skin SAFEBOX-B IP55 Wall Mounting Cabinet W=600 mm D=300 mm | 600 | 300 | 871 | 4 | 2 |

SAFEBOX-B IP55 Outdoor Single Skin Cabinets W:600 mm D:450 mm

| Product Number | Series | Description | Width (mm) | Depth (mm) | Height (mm) | Cable Entry (QTY) | Lock (QTY) |
|-----------------------|------------------|--|------------|------------|-------------|-------------------|------------|
| LN-ESO-IP5507U6045-LG | SAFEBOX-B Series | 7U 19" Outdoor Single Skin SAFEBOX-B IP55 Wall Mounting Cabinet W=600 mm D=450 mm | 600 | 450 | 471 | 4 | 1 |
| LN-ESO-IP5509U6045-LG | SAFEBOX-B Series | 9U 19" Outdoor Single Skin SAFEBOX-B IP55 Wall Mounting Cabinet W=600 mm D=450 mm | 600 | 450 | 560 | 4 | 1 |
| LN-ESO-IP5512U6045-LG | SAFEBOX-B Series | 12U 19" Outdoor Single Skin SAFEBOX-B IP55 Wall Mounting Cabinet W=600 mm D=450 mm | 600 | 450 | 693 | 4 | 2 |
| LN-ESO-IP5516U6045-LG | SAFEBOX-B Series | 16U 19" Outdoor Single Skin SAFEBOX-B IP55 Wall Mounting Cabinet W=600 mm D=450 mm | 600 | 450 | 871 | 4 | 2 |

SAFEBOX-B IP55 Outdoor Single Skin Cabinets W:600 mm D:600 mm

| Product Number | Series | Description | Width (mm) | Depth (mm) | Height (mm) | Cable Entry (QTY) | Lock (QTY) |
|-----------------------|------------------|--|------------|------------|-------------|-------------------|------------|
| LN-ESO-IP5507U6060-LG | SAFEBOX-B Series | 7U 19" Outdoor Single Skin SAFEBOX-B IP55 Wall Mounting Cabinet W=600 mm D=600 mm | 600 | 600 | 471 | 4 | 1 |
| LN-ESO-IP5509U6060-LG | SAFEBOX-B Series | 9U 19" Outdoor Single Skin SAFEBOX-B IP55 Wall Mounting Cabinet W=600 mm D=600 mm | 600 | 600 | 560 | 4 | 1 |
| LN-ESO-IP5512U6060-LG | SAFEBOX-B Series | 12U 19" Outdoor Single Skin SAFEBOX-B IP55 Wall Mounting Cabinet W=600 mm D=600 mm | 600 | 600 | 693 | 4 | 2 |
| LN-ESO-IP5516U6060-LG | SAFEBOX-B Series | 16U 19" Outdoor Single Skin SAFEBOX-B IP55 Wall Mounting Cabinet W=600 mm D=600 mm | 600 | 600 | 871 | 4 | 2 |

Thermostat Switched Analog Fan Module - 220 V AC

| Product Number | Series | Description | Dimensions WxDxH mm |
|---------------------|-----------|--|---------------------|
| LN-FAN-THM-1FSBE-LG | Accessory | Thermostat switched single fan module for SAFEBOX-B wall mounting cabinets, filtered | 495x175x50 |
| LN-FAN-THM-2FSBE-LG | Accessory | Thermostat switched double fan module for SAFEBOX-B wall mounting cabinets, filtered | 495x175x50 |

Ground Applications - H:100 mm Plinth

| Product Number | Series | Description | Dimensions WxDxH mm |
|------------------|-----------|--|---------------------|
| LN-SBO-PL-KIT-ZN | Accessory | Pole Mounting Kit, for 4-6" diameter poles, galvanized | 598x204x80 |
| LN-PLNTH-D30-LG | Accessory | Plinth H100mm W600xD300mm for SAFEBOX-B cabinets RAL 7035 Light Grey | 600x300x100 |
| LN-PLNTH-D45-LG | Accessory | Plinth H100mm W600xD450mm for SAFEBOX-B cabinets RAL 7035 Light Grey | 600x450x100 |
| LN-PLNTH-D60-LG | Accessory | Plinth H100mm W600xD600mm for SAFEBOX-B cabinets RAL 7035 Light Grey | 600x600x100 |

Mounting Plates for SAFEBOX-B IP55 Outdoor Single Skin Cabinets

| Product Number | Series | Description | Dimensions WxDxH mm |
|------------------|-----------|--|---------------------|
| LN-TS-07U-SBE-ZN | Accessory | 7U mounting plate, for industrial equipment mounting to the back panel of SAFEBOX-B cabinet - zinc coated | t1,0mm H350 W575mm |
| LN-TS-09U-SBE-ZN | Accessory | 9U mounting plate, for industrial equipment mounting to the back panel of SAFEBOX-B cabinet - zinc coated | t1,0mm H440 W575mm |
| LN-TS-12U-SBE-ZN | Accessory | 12U mounting plate, for industrial equipment mounting to the back panel of SAFEBOX-B cabinet - zinc coated | t1,0mm H570 W575mm |
| LN-TS-16U-SBE-ZN | Accessory | 16U mounting plate, for industrial equipment mounting to the back panel of SAFEBOX-B cabinet - zinc coated | t1,0mm H570 W575mm |

To be mounted to the back panel of the cabinet, allows industrial equipment, electrical components, DIN rails mounting.

19" SAFEBOX-B IP55

Outdoor Double Skin Cabinets

SAFEBOX-B IP55 Outdoor Double Skin Cabinets W:600 mm D:300 mm

| Product Number | Series | Description | Width (mm) | Depth (mm) | Height (mm) | Cable Entry (QTY) | Lock (QTY) |
|-----------------------|------------------|--|------------|------------|-------------|-------------------|------------|
| LN-ESD-IP5507U6030-LG | SAFEBOX-B Series | 7U 19" Outdoor Double Skin SAFEBOX-B IP55 Wall Mounting Cabinet W=600 mm D=300 mm | 600 | 300 | 471 | 4 | 1 |
| LN-ESD-IP5509U6030-LG | SAFEBOX-B Series | 9U 19" Outdoor Double Skin SAFEBOX-B IP55 Wall Mounting Cabinet W=600 mm D=300 mm | 600 | 300 | 560 | 4 | 1 |
| LN-ESD-IP5512U6030-LG | SAFEBOX-B Series | 12U 19" Outdoor Double Skin SAFEBOX-B IP55 Wall Mounting Cabinet W=600 mm D=300 mm | 600 | 300 | 693 | 4 | 2 |
| LN-ESD-IP5516U6030-LG | SAFEBOX-B Series | 16U 19" Outdoor Double Skin SAFEBOX-B IP55 Wall Mounting Cabinet W=600 mm D=300 mm | 600 | 300 | 871 | 4 | 2 |

SAFEBOX-B IP55 Outdoor Double Skin Cabinets W:600 mm D:450 mm

| Product Number | Series | Description | Width (mm) | Depth (mm) | Height (mm) | Cable Entry (QTY) | Lock (QTY) |
|-----------------------|------------------|--|------------|------------|-------------|-------------------|------------|
| LN-ESD-IP5507U6045-LG | SAFEBOX-B Series | 7U 19" Outdoor Double Skin SAFEBOX-B IP55 Wall Mounting Cabinet W=600 mm D=450 mm | 600 | 450 | 471 | 4 | 1 |
| LN-ESD-IP5509U6045-LG | SAFEBOX-B Series | 9U 19" Outdoor Double Skin SAFEBOX-B IP55 Wall Mounting Cabinet W=600 mm D=450 mm | 600 | 450 | 560 | 4 | 1 |
| LN-ESD-IP5512U6045-LG | SAFEBOX-B Series | 12U 19" Outdoor Double Skin SAFEBOX-B IP55 Wall Mounting Cabinet W=600 mm D=450 mm | 600 | 450 | 693 | 4 | 2 |
| LN-ESD-IP5516U6045-LG | SAFEBOX-B Series | 16U 19" Outdoor Double Skin SAFEBOX-B IP55 Wall Mounting Cabinet W=600 mm D=450 mm | 600 | 450 | 871 | 4 | 2 |

SAFEBOX-B IP55 Outdoor Double Skin Cabinets W:600 mm D:600 mm

| Product Number | Series | Description | Width (mm) | Depth (mm) | Height (mm) | Cable Entry (QTY) | Lock (QTY) |
|-----------------------|------------------|--|------------|------------|-------------|-------------------|------------|
| LN-ESD-IP5507U6060-LG | SAFEBOX-B Series | 7U 19" Outdoor Double Skin SAFEBOX-B IP55 Wall Mounting Cabinet W=600 mm D=600 mm | 600 | 600 | 471 | 4 | 1 |
| LN-ESD-IP5509U6060-LG | SAFEBOX-B Series | 9U 19" Outdoor Double Skin SAFEBOX-B IP55 Wall Mounting Cabinet W=600 mm D=600 mm | 600 | 600 | 560 | 4 | 1 |
| LN-ESD-IP5512U6060-LG | SAFEBOX-B Series | 12U 19" Outdoor Double Skin SAFEBOX-B IP55 Wall Mounting Cabinet W=600 mm D=600 mm | 600 | 600 | 693 | 4 | 2 |
| LN-ESD-IP5516U6060-LG | SAFEBOX-B Series | 16U 19" Outdoor Double Skin SAFEBOX-B IP55 Wall Mounting Cabinet W=600 mm D=600 mm | 600 | 600 | 871 | 4 | 2 |

Thermostat Switched Analog Fan Module - 220 V AC

| Product Number | Series | Description | Dimensions WxDxH mm |
|---------------------|-----------|--|---------------------|
| LN-FAN-THM-1FSBE-LG | Accessory | Thermostat switched single fan module for SAFEBOX-B wall mounting cabinets, filtered | 495x175x50 |
| LN-FAN-THM-2FSBE-LG | Accessory | Thermostat switched double fan module for SAFEBOX-B wall mounting cabinets, filtered | 495x175x50 |

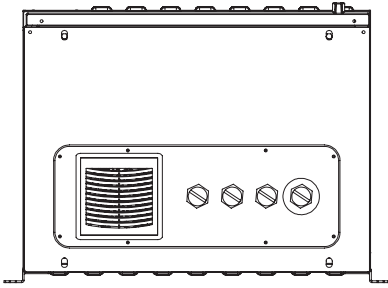
Ground Applications - H:100 mm Plinth

| Product Number | Series | Description | Dimensions WxDxH mm |
|------------------|-----------|--|---------------------|
| LN-SBO-PL-KIT-ZN | Accessory | Pole Mounting Kit, for 4-6" diameter poles, galvanized | 598x204x80 |
| LN-PLNTH-D30-LG | Accessory | Plinth H100mm W600xD300mm for SAFEBOX-B cabinets RAL 7035 Light Grey | 600x300x100 |
| LN-PLNTH-D45-LG | Accessory | Plinth H100mm W600xD450mm for SAFEBOX-B cabinets RAL 7035 Light Grey | 600x450x100 |
| LN-PLNTH-D60-LG | Accessory | Plinth H100mm W600xD600mm for SAFEBOX-B cabinets RAL 7035 Light Grey | 600x600x100 |

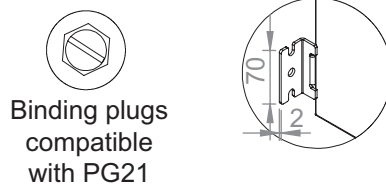
19" SAFEBOX-B IP55

Outdoor Single and Double Skin Cabinets

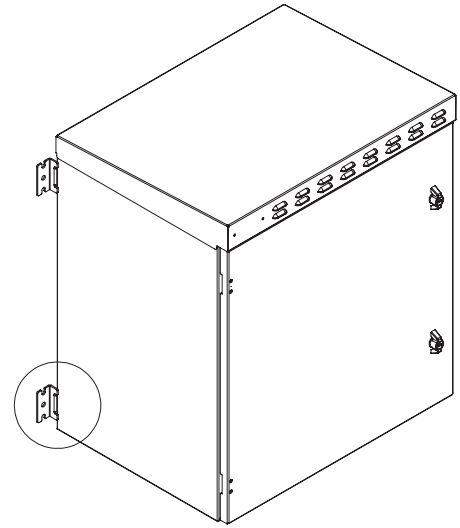
Construction Drawings



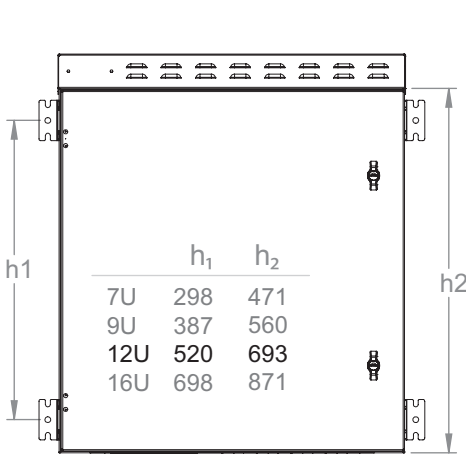
Bottom view



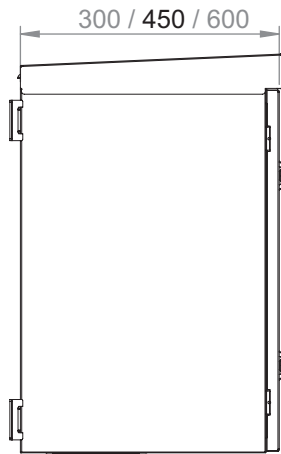
Binding plugs compatible with PG21



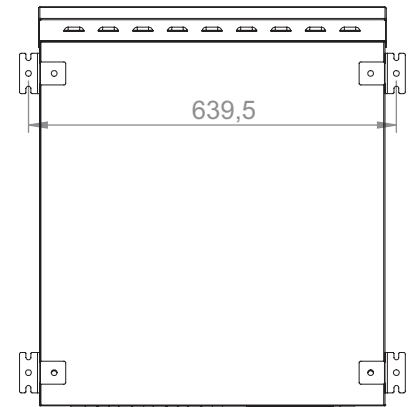
Isometric view



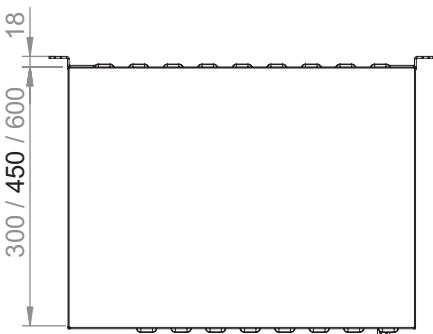
Front view



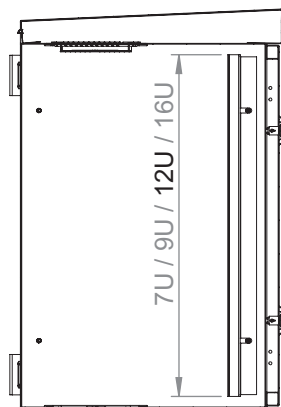
Side view



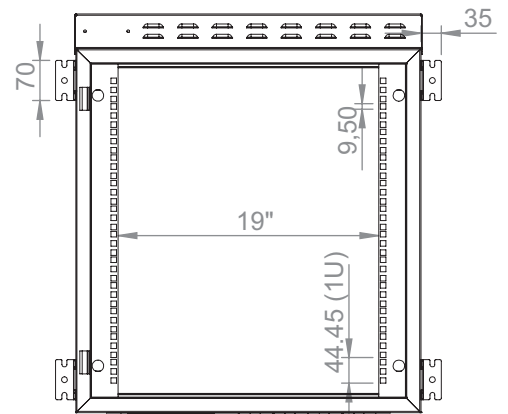
Rear view



Top view



Interior view - side

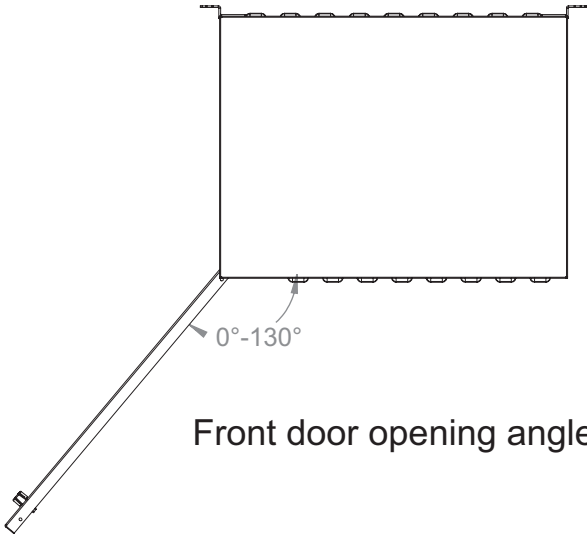


Interior view - front

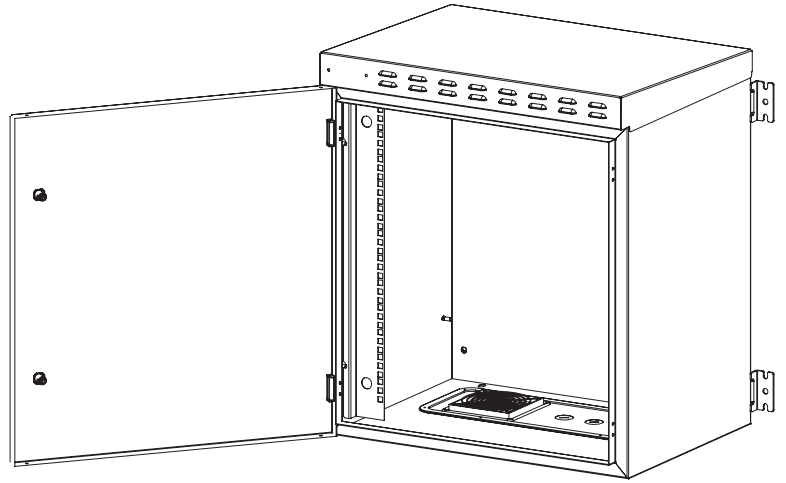
19" SAFEBOX-B IP55

Outdoor Single and Double Skin Cabinets

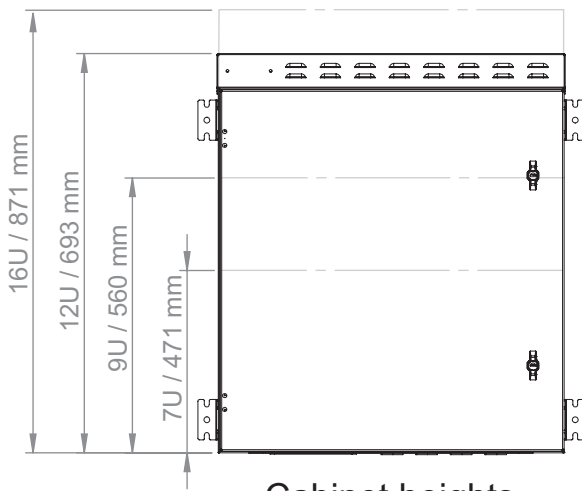
Construction Drawings



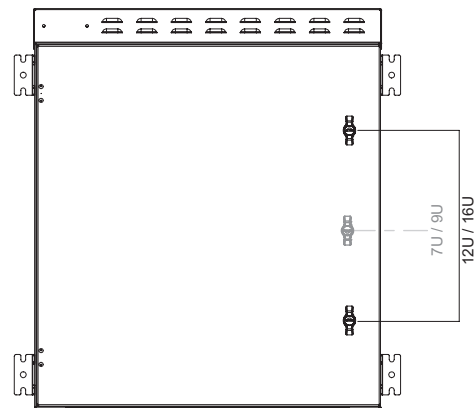
Front door opening angle



Isometric front door opened view



Cabinet heights



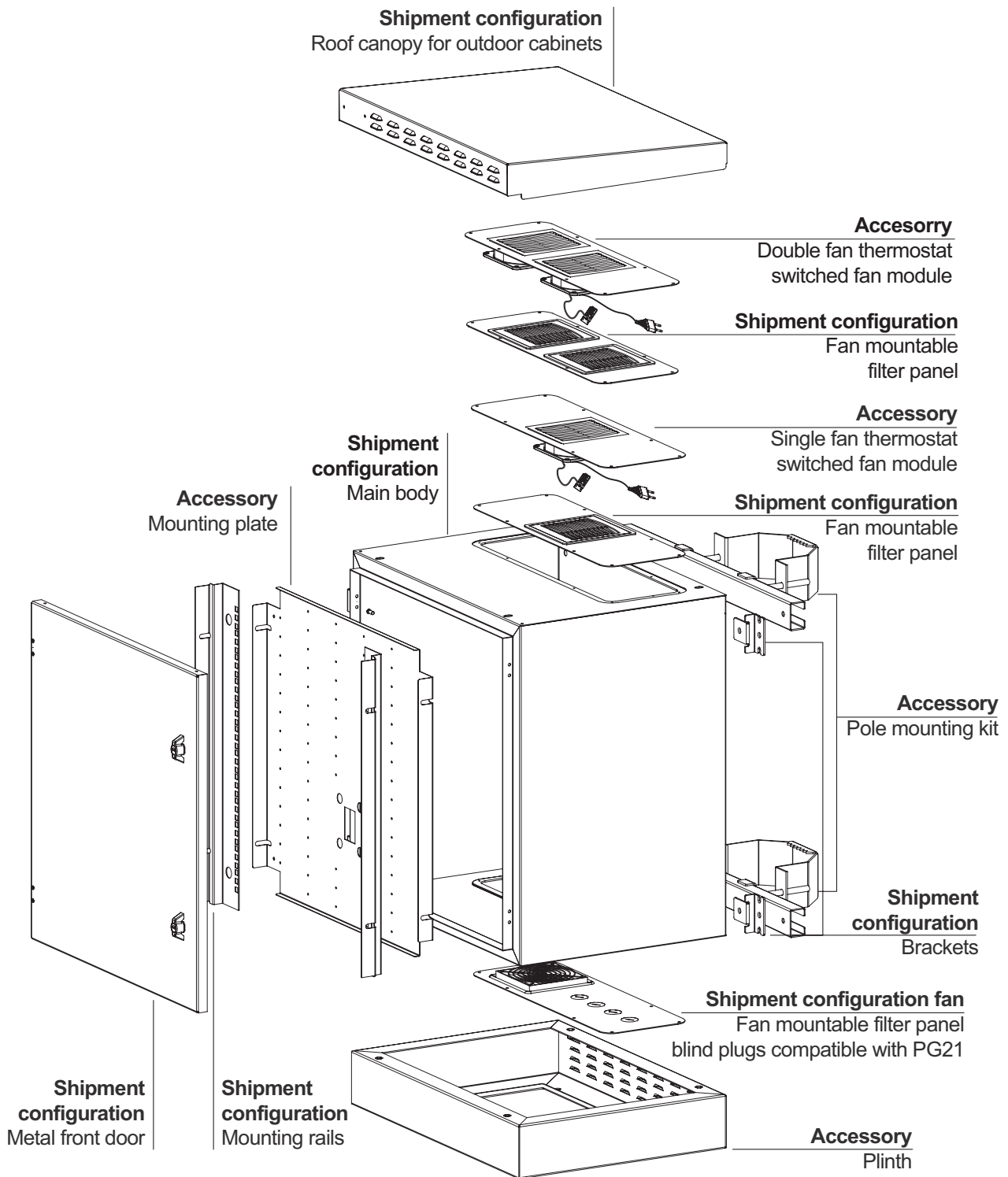
Lock quantities

19" SAFEBOX-B IP55

Outdoor Single and Double Skin Cabinets

Construction Drawings

OUTDOOR CABINETS SHIPMENT CONFIGURATION and OPTIONAL ACCESSORIES

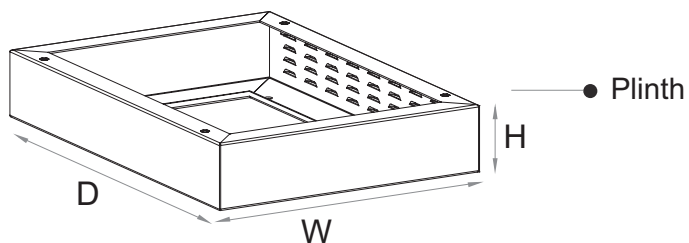


Exploded view

19" SAFEBOX-B IP55 Cabinets

Accessories

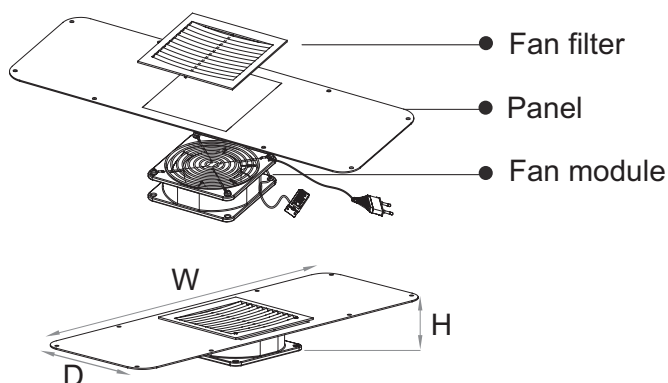
● Plinth



W x D x H mm / 600 x 300 x 100 mm
450
600



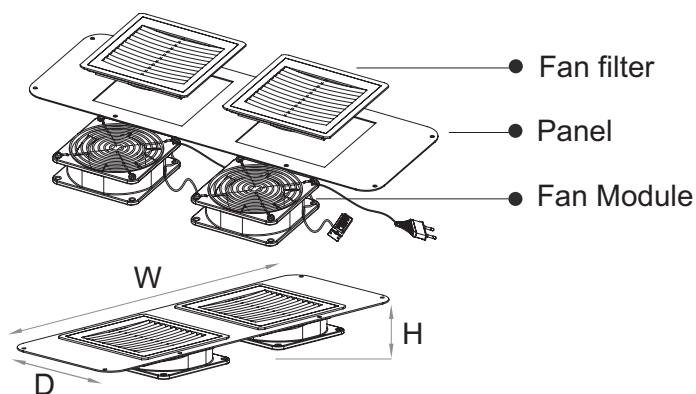
● Single fan module



W x D x H mm / 495 x 175 x 50 mm



● Double fan module



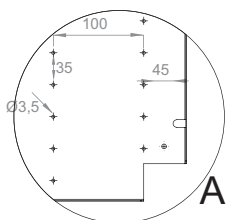
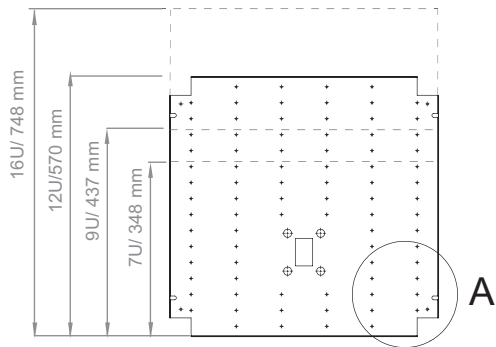
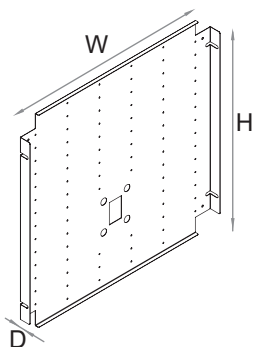
W x D x H mm / 495 x 175 x 50 mm



19" SAFEBOX-B IP55 Cabinets

Accessories

● Mounting plate

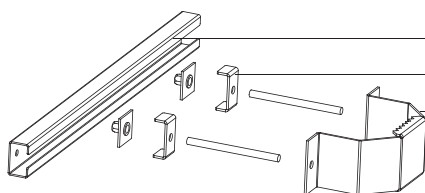


| | | |
|----------------------------------|-----|-----|
| | 348 | 7U |
| | 437 | 9U |
| W x D x H mm / 595 x 41 x 570 mm | 748 | 12U |
| | | 16U |

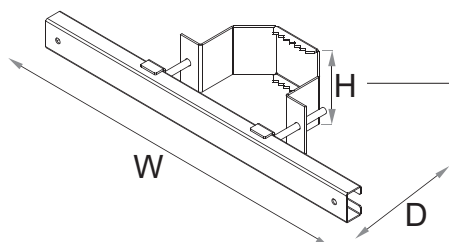
* Mounting plate is available for single skin cabinets as an accessory. For double skin cabinets, mounting plate is already available in standard configuration.



● Pole mounting kit



- Rear mounting plate
- Fittings
- Pole bracket



- Compatible with 4-6" diameter poles

W x D x H mm / 598 x 204 x 80 mm



19" SAFEBOX-B IP55 Cabinets

Logistic Information

| Product Information: SAFEBOX-B IP55 Indoor Cabinets | | | | | Logistics Details - Packaging Dimensions | | | |
|---|-----------------------|------------------|----------|--------------|--|--------------|--------------|---------------|
| Type | Product Number | Series | U Height | Depth (D) mm | Packaging Weight kgs. | Width (W) mm | Depth (D) mm | Height (H) mm |
| Indoor | LN-ESI-IP5507U6030-LG | SAFEBOX-B Series | 7U | 300 | 15,54 | 650 | 320 | 536 |
| Indoor | LN-ESI-IP5509U6030-LG | SAFEBOX-B Series | 9U | 300 | 17,86 | 650 | 320 | 625 |
| Indoor | LN-ESI-IP5512U6030-LG | SAFEBOX-B Series | 12U | 300 | 21,44 | 650 | 320 | 758 |
| Indoor | LN-ESI-IP5516U6030-LG | SAFEBOX-B Series | 16U | 300 | 23,07 | 650 | 320 | 936 |
| Indoor | LN-ESI-IP5507U6045-LG | SAFEBOX-B Series | 7U | 450 | 17,40 | 650 | 500 | 536 |
| Indoor | LN-ESI-IP5509U6045-LG | SAFEBOX-B Series | 9U | 450 | 20,00 | 650 | 500 | 625 |
| Indoor | LN-ESI-IP5512U6045-LG | SAFEBOX-B Series | 12U | 450 | 24,00 | 650 | 500 | 758 |
| Indoor | LN-ESI-IP5516U6045-LG | SAFEBOX-B Series | 16U | 450 | 25,83 | 650 | 500 | 936 |
| Indoor | LN-ESI-IP5507U6060-LG | SAFEBOX-B Series | 7U | 600 | 19,48 | 650 | 670 | 536 |
| Indoor | LN-ESI-IP5509U6060-LG | SAFEBOX-B Series | 9U | 600 | 22,39 | 650 | 670 | 625 |
| Indoor | LN-ESI-IP5512U6060-LG | SAFEBOX-B Series | 12U | 600 | 26,87 | 650 | 670 | 758 |
| Indoor | LN-ESI-IP5516U6060-LG | SAFEBOX-B Series | 16U | 600 | 28,91 | 650 | 670 | 936 |

| Product Information: SAFEBOX-B IP55 Outdoor Cabinets | | | | | Logistics Details - Packaging Dimensions | | | |
|--|-----------------------|------------------|----------|--------------|--|--------------|--------------|---------------|
| Type | Product Number | Series | U Height | Depth (D) mm | Packaging Weight kgs. | Width (W) mm | Depth (D) mm | Height (H) mm |
| Outdoor | LN-ESO-IP5507U6030-LG | SAFEBOX-B Series | 7U | 300 | 18,76 | 650 | 320 | 542 |
| Outdoor | LN-ESO-IP5509U6030-LG | SAFEBOX-B Series | 9U | 300 | 21,08 | 650 | 320 | 685 |
| Outdoor | LN-ESO-IP5512U6030-LG | SAFEBOX-B Series | 12U | 300 | 24,65 | 650 | 320 | 818 |
| Outdoor | LN-ESO-IP5516U6030-LG | SAFEBOX-B Series | 16U | 300 | 26,53 | 650 | 320 | 942 |
| Outdoor | LN-ESO-IP5507U6045-LG | SAFEBOX-B Series | 7U | 450 | 23,30 | 650 | 500 | 542 |
| Outdoor | LN-ESO-IP5509U6045-LG | SAFEBOX-B Series | 9U | 450 | 26,80 | 650 | 500 | 685 |
| Outdoor | LN-ESO-IP5512U6045-LG | SAFEBOX-B Series | 12U | 450 | 27,60 | 650 | 500 | 818 |
| Outdoor | LN-ESO-IP5516U6045-LG | SAFEBOX-B Series | 16U | 450 | 35,20 | 650 | 500 | 942 |
| Outdoor | LN-ESO-IP5507U6060-LG | SAFEBOX-B Series | 7U | 600 | 28 | 650 | 670 | 542 |
| Outdoor | LN-ESO-IP5509U6060-LG | SAFEBOX-B Series | 9U | 600 | 31,60 | 650 | 670 | 685 |
| Outdoor | LN-ESO-IP5512U6060-LG | SAFEBOX-B Series | 12U | 600 | 35,50 | 650 | 670 | 818 |
| Outdoor | LN-ESO-IP5516U6060-LG | SAFEBOX-B Series | 16U | 600 | 38,40 | 650 | 670 | 942 |

| Product Information: SAFEBOX-B IP55 Outdoor Cabinets | | | | | Logistics Details - Packaging Dimensions | | | |
|--|-----------------------|------------------|----------|--------------|--|--------------|--------------|---------------|
| Type | Product Number | Series | U Height | Depth (D) mm | Packaging Weight kgs. | Width (W) mm | Depth (D) mm | Height (H) mm |
| Outdoor | LN-ESD-IP5507U6030-LG | SAFEBOX-B Series | 7U | 300 | 24 | 650 | 320 | 542 |
| Outdoor | LN-ESD-IP5509U6030-LG | SAFEBOX-B Series | 9U | 300 | 27,65 | 650 | 320 | 685 |
| Outdoor | LN-ESD-IP5512U6030-LG | SAFEBOX-B Series | 12U | 300 | 32,63 | 650 | 320 | 818 |
| Outdoor | LN-ESD-IP5516U6030-LG | SAFEBOX-B Series | 16U | 300 | 33 | 650 | 320 | 942 |
| Outdoor | LN-ESD-IP5507U6045-LG | SAFEBOX-B Series | 7U | 450 | 38,93 | 650 | 500 | 542 |
| Outdoor | LN-ESD-IP5509U6045-LG | SAFEBOX-B Series | 9U | 450 | 33,15 | 650 | 500 | 685 |
| Outdoor | LN-ESD-IP5512U6045-LG | SAFEBOX-B Series | 12U | 450 | 35,8 | 650 | 500 | 818 |
| Outdoor | LN-ESD-IP5516U6045-LG | SAFEBOX-B Series | 16U | 450 | 39,82 | 650 | 500 | 942 |
| Outdoor | LN-ESD-IP5507U6060-LG | SAFEBOX-B Series | 7U | 600 | 35,46 | 650 | 670 | 542 |
| Outdoor | LN-ESD-IP5509U6060-LG | SAFEBOX-B Series | 9U | 600 | 37,02 | 650 | 670 | 685 |
| Outdoor | LN-ESD-IP5512U6060-LG | SAFEBOX-B Series | 12U | 600 | 43,8 | 650 | 670 | 818 |
| Outdoor | LN-ESD-IP5516U6060-LG | SAFEBOX-B Series | 16U | 600 | 47,47 | 650 | 670 | 942 |



CONTACT DETAILS

Headquarters

Address:

Merve Mah. Gazi Cad. No: 17 **Phone:** +90 216 312 26 53 pbx
Sancaktepe - İstanbul / TURKEY **Fax** : +90 216 312 09 09

Factory

Address:

20. Cadde No: 14 Eskişehir **Phone:** +90 222 236 24 66 pbx
Organize San. Bölge. 26110 **Fax** : +90 222 236 13 53
Eskişehir / TURKEY

www.lande.com.tr | sales@lande.com.tr

