

19" DYNAmax Free Standing Server Cabinets

Width: 800 mm.
Depth: 1000 mm.

Width=800mm
Depth=1000mm

Standard Heights:

2 Different U Heights:
42U, 45U

Standards, and Compliances:



ISO 9001:2008

Quality Management System

EN 61587 -1:2012
Mechanical Structures for
Electronic Equipment

IEC 297-1, 19" mounting
IEC 297-2 Overall cabinet dimintions



CE conform to

EN 60950-1:2006
Information Technology
Equipment – Safety – Part-1-
General Requirements



Environment Friendly;

*Environmental awareness
*RoHS compliancy
*% 100 Recyclable
Material

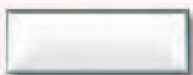
Load Capacity: 1000 kgs.



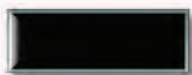
DYNAmax series Server Enclosures, with 19" w:800mm and d:1000mm physical sizes, with max internal usable depth, and 2 different height,

*** Please see door options in page 120

Standard Color:



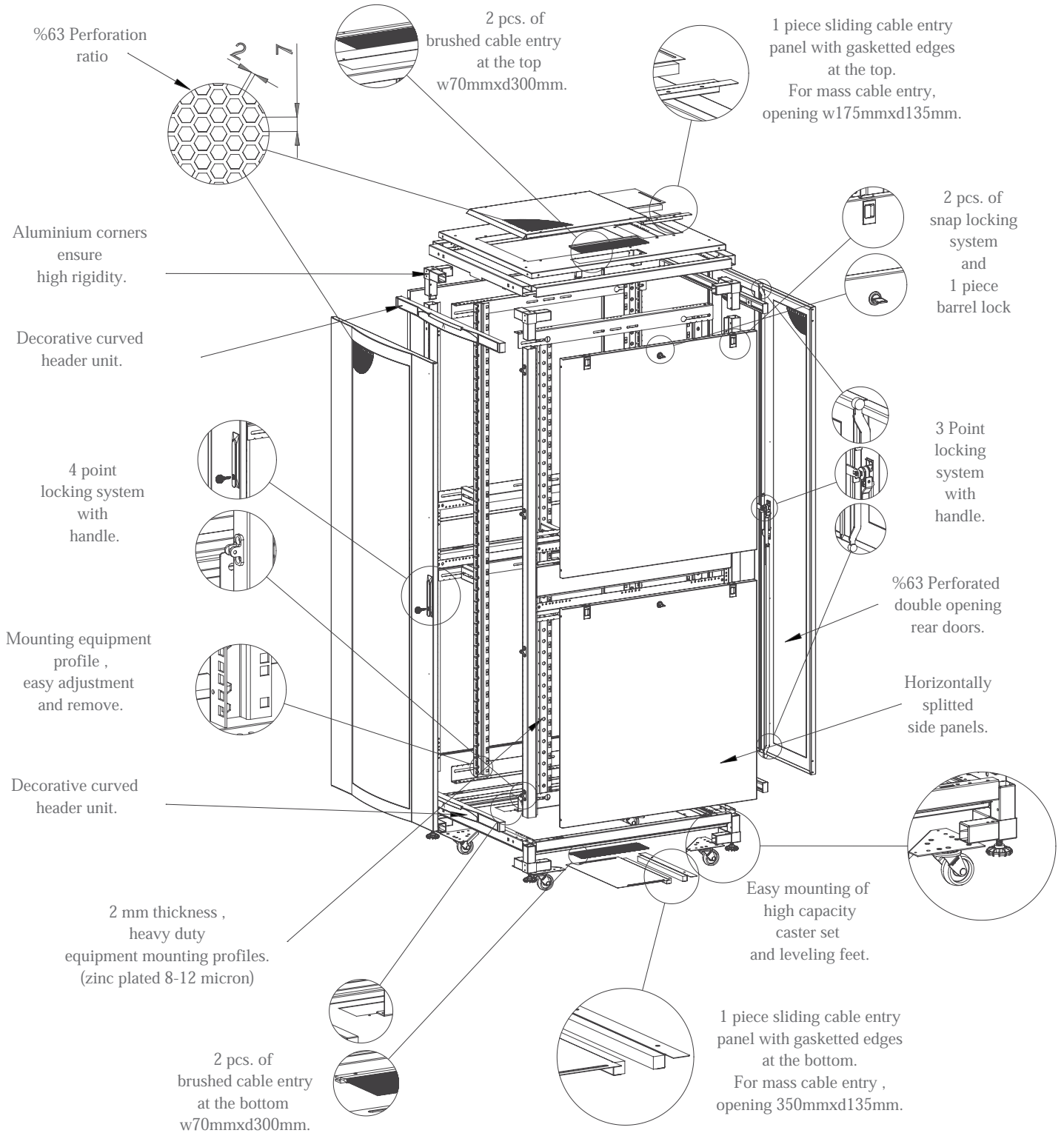
RAL 7035 Light Grey



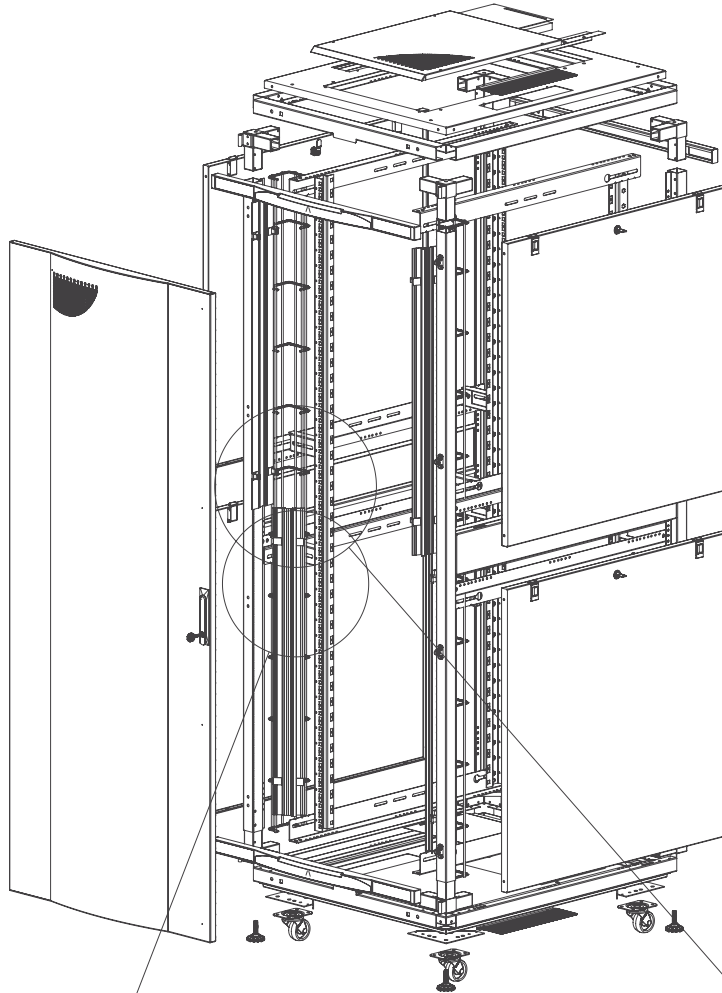
RAL 9005 Black



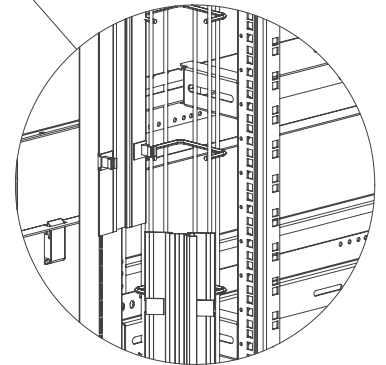
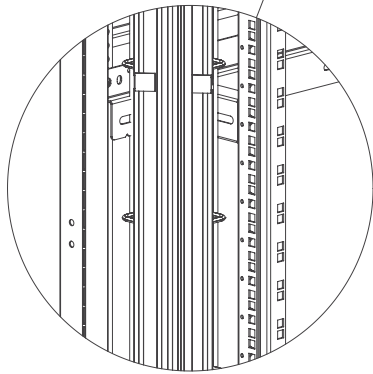
EXPLODED
VIEW



CONSTRUCTION
DRAWING

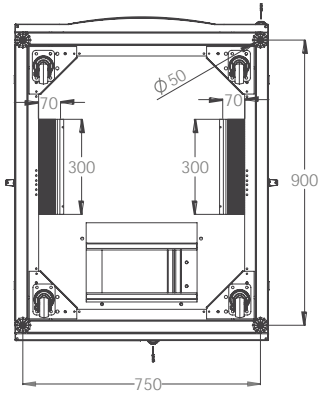


Optional vertical cable management panel possible to use in front or at rear.

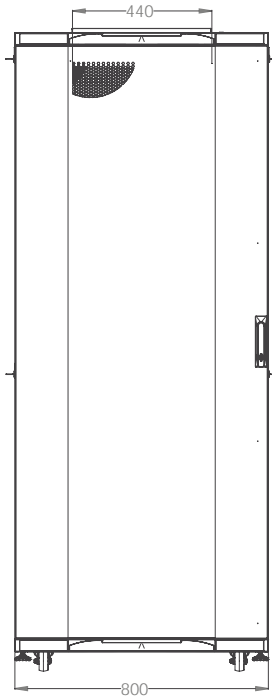


19" DYNAmax Free Standing Server Cabinets

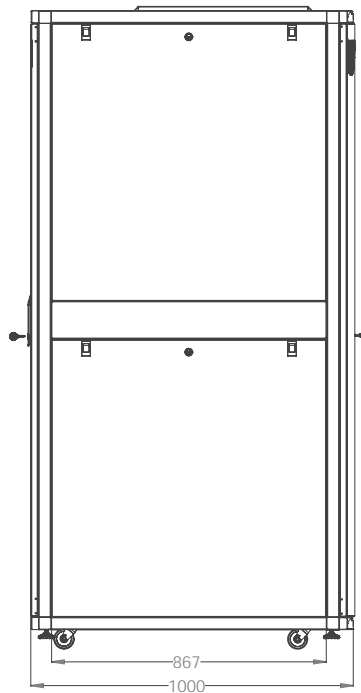
Width: 800 mm.
Depth: 1000 mm.



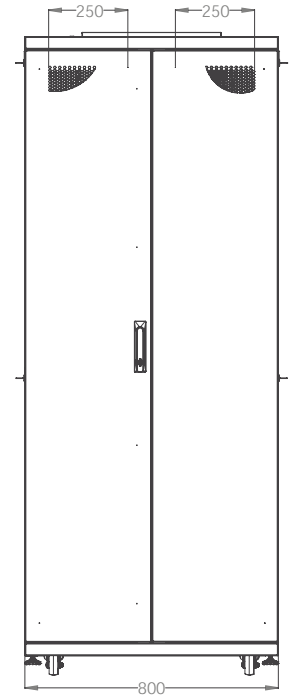
BOTTOM VIEW



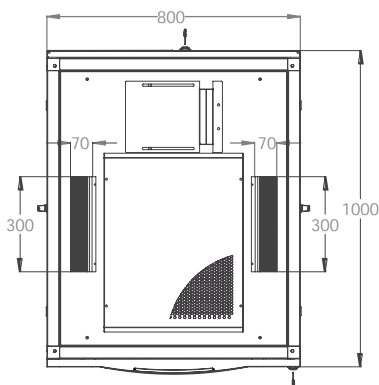
FRONT VIEW



SIDE VIEW



REAR VIEW

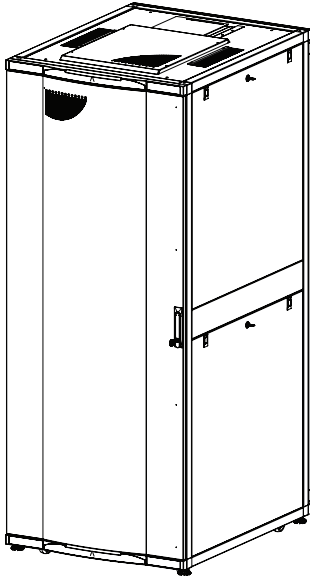


TOP VIEW

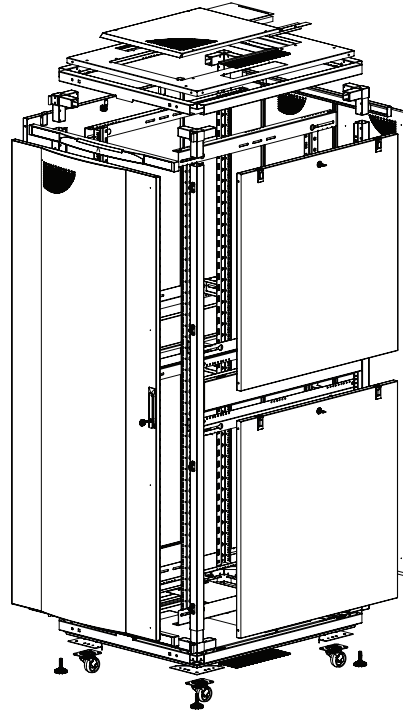


CONSTRUCTION
DRAWING

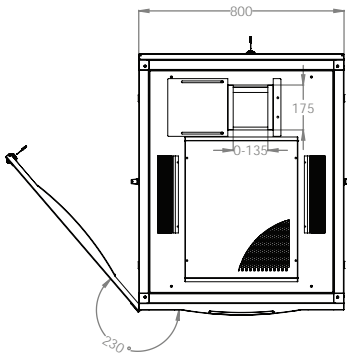
CONSTRUCTION
DRAWING



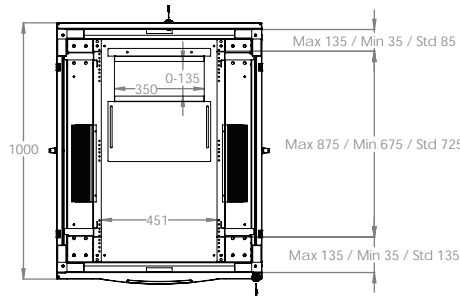
ISOMETRIC VIEW



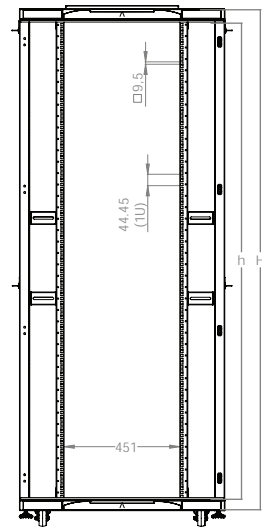
EXPLODED VIEW



FRONT DOOR
OPENING ANGLE



MAX/STD/MIN
EQUIPMENT MOUNTING DISTANCE



DIMENSIONS IN
WIDTH AND HEIGHT

DYNAmax Series Free Standing 19" Server Cabinets W=800mm D=1000mm

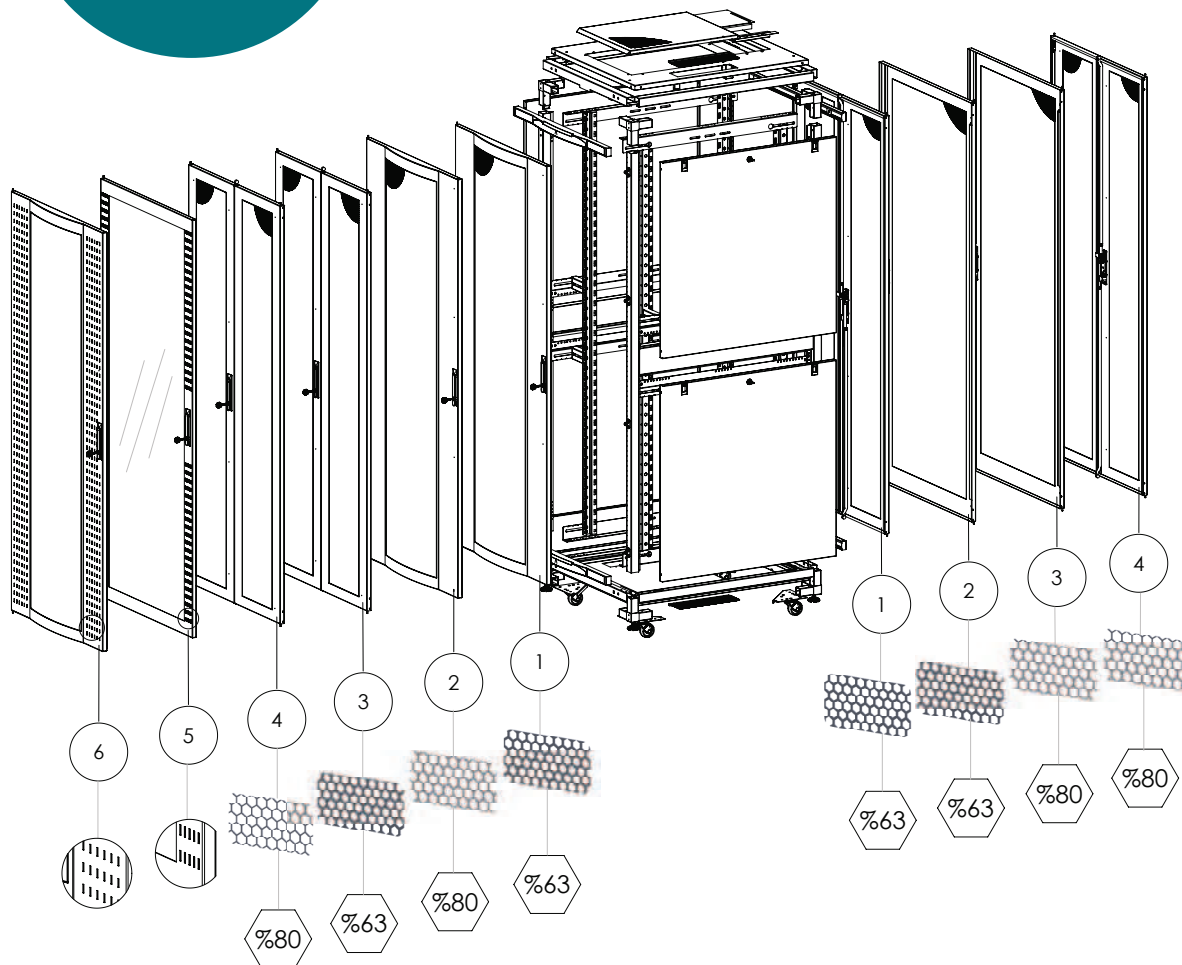
ROOT Product Number ***	Product Description	Size WxDxH mm	h size in U	h in mm	*H mm, overall without feet and/or castor	Width Overall mm	Width Rail to Rail mm	Depth Overall mm	**Depth Shipping Conf. Rail to Rail mm	QTY IN PACKAGE	PACKING DIMENSIONS WxDxH mm	Standard NET Weight of product kgs	Gross Weight of Product kgs	QTY IN PALETTE	PALETTE DIMENSIONS WxDxH mm	Palette Weight kgs
LN-SR42U8010-CC-111	42U 19" Free Standing Server Cabinet W=800mm D=1000mm	800x1000x1970	42U	1867	1970	800	19"	1000	720	1	880x1080x2100	128	148	1	880x1080x2100	148
LN-SR45U8010-CC-111	45U 19" Free Standing Server Cabinet W=800mm D=1000mm	800x1000x2105	45U	2000	2105	800	19"	1000	720	1	880x1080x2245	137	159	1	880x1080x2245	159

* Please add 80mm to H mm for combined castor and leveling feet for shipping configuration.

** See min and max Adjustable depth variations on drawings.

***CC= LG for Light Grey RAL 7035 & BL for Black RAL 9005 for customers to define while ordering, for "111" selection please see the door options.

DOOR
OPTIONS



DYNAmax Server Cabinet W=800mm D=1000mm
All Heights FRONT DOOR Options

- 0 Without front Door
- 1 Single Opening, Curved Shape, Complete Framed %63 perforated, Solid Metal Front Door, 4 Point Handled Locking
- 2 Single Opening, Curved Shape, Complete Framed %80 perforated, Solid Metal Front Door, 4 Point Handled Locking
- 3 Double Opening, Flat Shape, Complete Framed %63 perforated, Solid Metal Front Door, 3 Point Handled Locking
- 4 Double Opening, Flat Shape, Complete Framed %80 perforated, Solid Metal Front Door, 3 Point Handled Locking
- 5 Single Opening, Flat Shape, Complete Framed Glass Center Ventilation Slotted pattern on frame, Solid Metal Front Door, 4 Point Handled Locking
- 6 Single Opening, Curved Shape, Complete Framed Plexi-glass Center Ventilation Slotted pattern on frame, Solid Metal Front Door, 4 Point Handled Locking

DYNAmax Server Cabinet W=800mm D=1000mm
All Heights REAR DOOR Options

- 0 Without Rear Door
- 1 Double Opening, Flat Shape, Complete Framed %63 perforated, Solid Metal Rear Door, 3 Point Handled Locking
- 2 Single Opening, Flat Shape, Complete Framed %63 perforated, Solid Metal Rear Door, 4 Point Handled Locking
- 3 Single Opening, Flat Shape, Complete Framed %80 perforated, Solid Metal Rear Door, 4 Point Handled Locking
- 4 Double Opening, Flat Shape, Complete Framed %80 perforated, Solid Metal Rear Door, 3 Point Handled Locking

DYNAmax Server Cabinet W=800
D=1000mm All Heights SIDE
PANEL Options

- 0 No Side Panel On product
- 1 Two Side Panels, left / right included in shipping configuration
- 2 One Side Panel Only on Left Side
- 3 One Side Panel Only on Right Side

LN-AA

XXU

WW

DD

CC

LN Corporate codification beginning letters mentioning Lande in Short Format as LN

AA Family Group of Enclosure; FS for Free Standing cabinets, WM for Wall Mounting Cabinets, SH for Small office Home office Range, SR for Server enclosure Range, SL for Slim series, RS for Home series wall cabinets

XX Numeric Character defining the height of enclosures, depending on model differences between 12 to 45 to be selected from price list, website or catalogue

U U Height Alfanumeric Notation, concrete (non editable- fixed character)

WW The First 2 digits of the width info, 60 for W=600mm, 80 for W=800mm, 54 for W=540mm, 30 for W=300mm Soho 10" enclosure

DD The First 2 digits of the depth info, 45 for D=450mm, 40 for D=400mm, 60 for D=600mm, 80 for D=800mm, 10 for D=1000mm cabinets

CC Color Code, LG for Light Grey RAL 7035, BL for Black RAL 9005

000

0 Front Door Variation number, numeric character 1 to 9 / 0 means no front door, standard front door defined in Lande System as option 1., Please select other variations if needed from above door selection drawing. Unless defined option 1 should be delivered

0 Rear Door Variation number, numeric character 1 to 9 / 0 means no rear door, standard rear door defined in Lande System as option 1., Please select other variations if needed from above door selection drawing. Unless defined option 1 should be delivered

0 Side Panel/Door Variation number, numeric character 1 to 9 / 0 means no side panel on product, standard side panel/door defined in Lande System as option 1. Unless defined option 1 should be delivered

