

Width=600mm
Depth=600mm

Standard Heights:

5 different U heights:

07U, 09U, 12U, 16U, 20U

Standards, and Compliances:



ISO 9001:2008
Quality Management System

EN 61587 -1:2012
Mechanical Structures for
Electronic Equipment

IEC 297-1, 19" mounting
IEC 297-2 Overall cabinet dimensions



CE conform to
EN 60950-1:2006
Information Technology
Equipment – Safety – Part-1-
General Requirements



Environment Friendly;
*Environmental awareness
*RoHS compliancy
*% 100 Recyclable
Material

Load Capacity: 80 kgs.



NETbox series Wall Mounting Networking Enclosures, with 19" w:600mm and d:600mm physical sizes, with max internal usable depth, and 5 different height, gives a wide selection chart for users.

All Lande NETbox Wall cabinets are being delivered as a single piece pre-assembled enclosure, with standard factory settings.

For Decoratively fitting to environment of your living areas, the cabinet has been integrated with highly modern, art fragrant parts and accessories.

For door and panel variations for different purpose of usage,

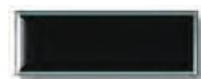
*** Please see door options in page 63

Standard Color:



RAL 7035 Light Grey
(Stock Delivery)

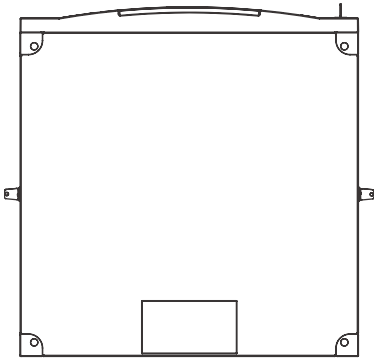
Optional Color:



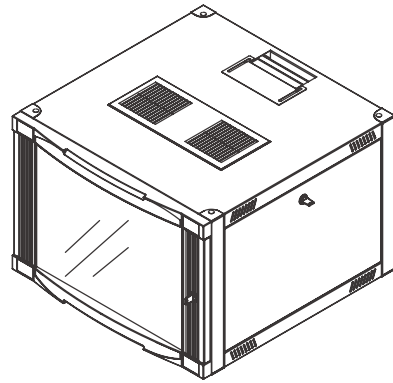
RAL 9005 Black



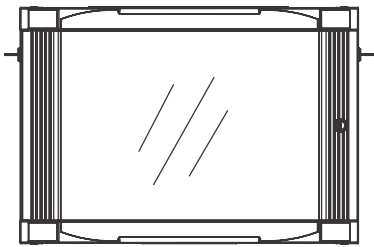
DETAILS ON
EXPLODED VIEW



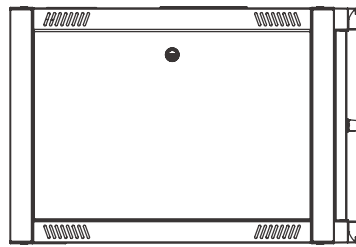
BOTTOM VIEW



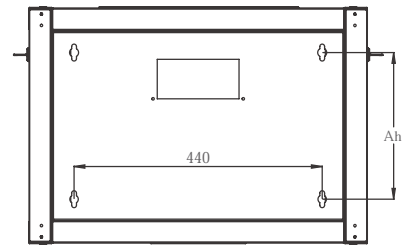
ISOMETRIC VIEW



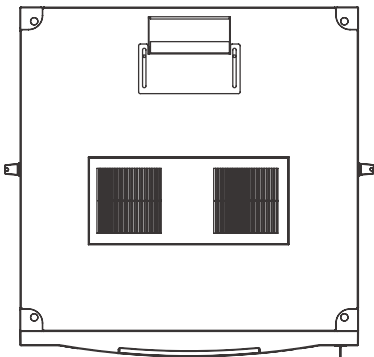
FRONT VIEW



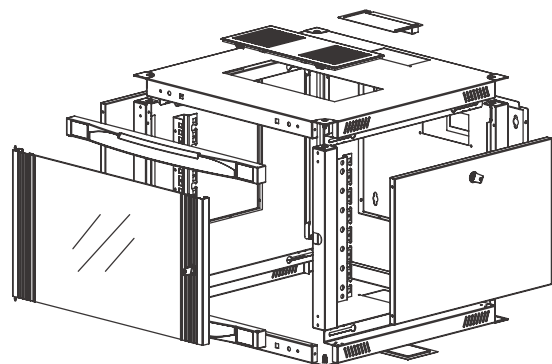
SIDE VIEW



REAR VIEW

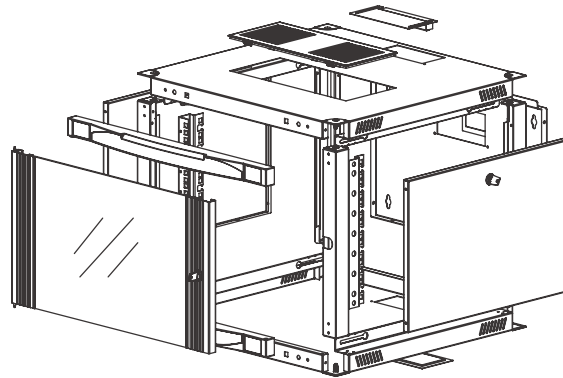


TOP VIEW

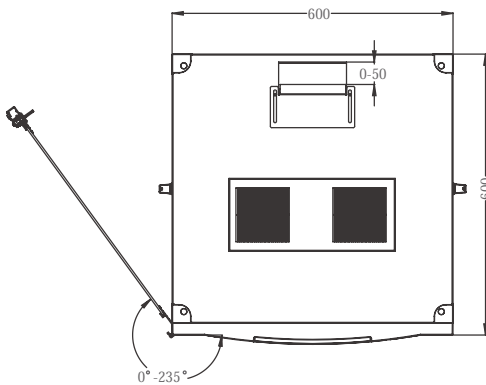


EXPLODED VIEW

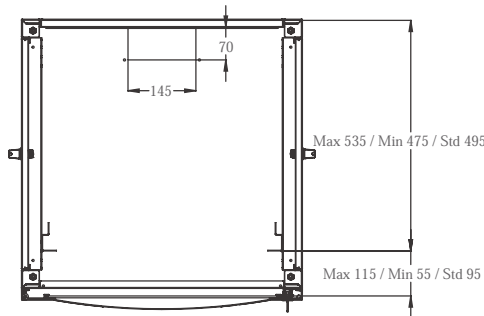
CONSTRUCTION
DRAWING



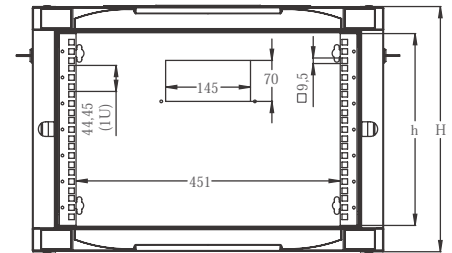
EXPLODED VIEW



FRONT DOOR
OPENING ANGLE



MAX/STD/MIN EQUIPMENT
MOUNTING DISTANCE



DIMENSIONS IN
WIDTH AND HEIGHT

NETbox Series Wall Mounting 19" Cabinets W=600mm D=600mm

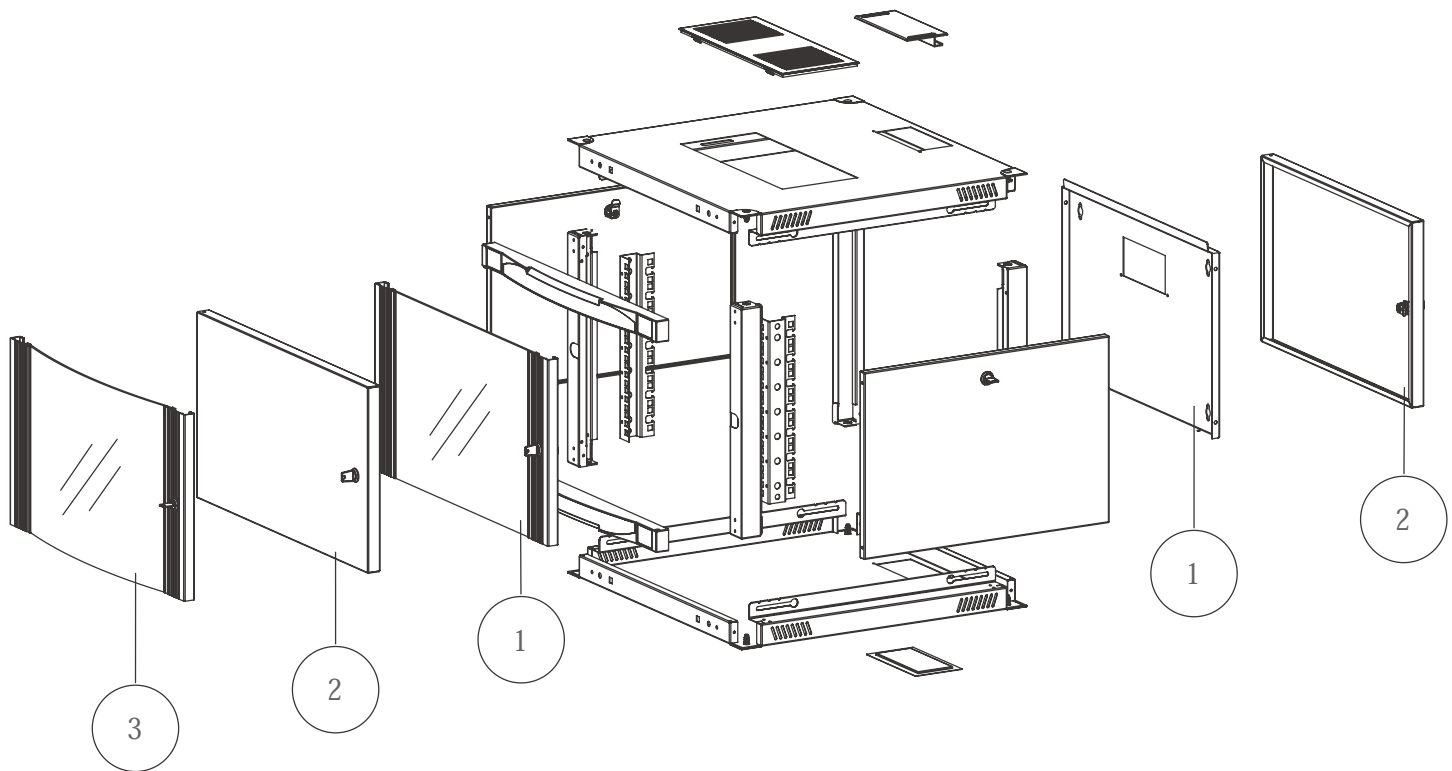
ROOT Product Number ***	Product Description	Size WxDxH mm	h size in U	h in mm	*H mm, overall without feet and/or castor	Width Overall mm	Ah Wall Mounting width mm	Width Rail to Rail	Depth Overall mm	**Depth Shipping Conf. Rail to Rear Panel mm	QTY IN PACKAGE	PACKING DIMENSIONS WxDxH mm	Standard NET Weight of product kgs	Gross Weight of Product kgs	QTY IN PALETTE	PALETTE DIMENSIONS WxDxH mm	Palette Weight kgs
LN-WM07U6060-CC-111	7U 19" Wall Mounting Cabinet W=600mm D=600mm	600x600x423	7U	311	423	600	260	19"	600	495	1	620x620x450	18	19	20	1300x1300x2400	406
LN-WM09U6060-CC-111	9U 19" Wall Mounting Cabinet W=600mm D=600mm	600x600x512	9U	400	512	600	349	19"	600	495	1	620x620x540	20	21	16	1300X1300x2280	362
LN-WM12U6060-CC-111	12U 19" Wall Mounting Cabinet W=600mm D=600mm	600x600x646	12U	533	646	600	482	19"	600	495	1	620x620x670	24	25,3	12	1300X1300x2150	329
LN-WM16U6060-CC-111	16U 19" Wall Mounting Cabinet W=600mm D=600mm	600x600x824	16U	711	824	600	660	19"	600	495	1	620x620x850	28	29,5	10	1300X1300x2450	321
LN-WM20U6060-CC-111	20U 19" Wall Mounting Cabinet W=600mm D=600mm	600x600x1001	20U	889	1001	600	838	19"	600	495z	1	620x620x1030	32	33,7	8	1300X1300x2250	295

* Please add 30mm to H mm once used with leveling feet, add 60mm to H mm once used with castor set.

** See min and max Adjustable depth variations on drawings

***CC= LG for Light Grey RAL 7035 & BL for Black RAL 9005 for customers to define while ordering, for "111" selection please see the door options

DOOR
OPTIONS



NETbox Wall Mounting Cabinet W=600mm D=600mm
All Heights FRONT DOOR Options

- 1 Single Opening, Flat Shape, Side Framed Glass Front Door, Single Point Barrel Locking.
- 2 Single Opening, Flat Shape, Complete Solid Metal Front Door, Single Point Barrel Locking
- 3 Single Opening, Curved Shape, Side Framed Glass Front Door, Single Point Barrel Locking.

NETbox Wall Mounting Cabinet W=600mm D=600mm
All Heights REAR DOOR Options

- 1 Factory Configured Screwed and Mechanically Locked Rear Panel included
- 2 Hinged and barrel single point locking rear door

NETbox Wall Mounting Cabinet
W=600mm D=600mm
All Heights SIDE PANEL Options

- 1 NO Option, Factory Configured Side Panels are included

LN-AA

XXU

WW

DD

CC

LN Corporate codification beginning letters mentioning Lande in Short Format as LN

AA Family Group of Enclosure; FS for Free Standing cabinets, WM for Wall Mounting Cabinets, SH for Small office Home office Range, SR for Server enclosure Range, SL for Slim series, RS for Home series wall cabinets

XX Numeric Character defining the height of enclosures, depending on model differences between 12 to 45 to be selected from price list, website or catalogue

U U Height Alfanumeric Notation, concrete (non editable- fixed character)

WW The First 2 digits of the width info, 60 for W=600mm, 80 for W=800mm, 54 for W=540mm, 30 for W=300mm 'Soho 10" enclosure

DD The First 2 digits of the depth info, 45 for D=450mm, 40 for D=400mm, 60 for D=600mm, 80 for D=800mm, 10 for D=1000mm cabinets

CC Color Code, LG for Light Grey RAL 7035, BL for Black RAL 9005

000

0 Front Door Variation number, numeric character 1 to 9 / 0 means no front door, standard front door defined in Lande System as option 1.. Please select other variations if needed from above door selection drawing. Unless defined option 1 should be delivered

0 Rear Door Variation number, numeric character 1 to 9 / 0 means no rear door, standard rear door defined in Lande System as option 1.. Please select other variations if needed from above door selection drawing. Unless defined option 1 should be delivered

0 Side Panel/Door Variation number, numeric character 1 to 9 / 0 means no side panel on product, standard side panel/door defined in Lande System as option 1. Unless defined option 1 should be delivered

