

19" DYNAmic Basic Free Standing Cabinets

Width: 800 mm.
Depth: 1000 mm.

Width=800mm
Depth=1000mm
Standard Heights:

42U heights:

Standards, and Compliances:



ISO 9001:2008
Quality Management System

EN 61587 -1:2012
Mechanical Structures for
Electronic Equipment

IEC 297-1, 19" mounting
IEC 297-2 Overall cabinet dimensions



CE conform to
EN 60950-1:2006
Information Technology
Equipment – Safety – Part-1-
General Requirements



Environment Friendly;
*ISO 14001 Environmental
Management System
*Environmental awareness
*RoHS compliancy
*% 100 Recyclable Material

Load Capacity: 600 kgs.



DYNAmic series Networking Enclosures, with 19" w:800mm and d:1000mm physical sizes, with max internal usable depth, and 42U height.

All W=800mm model cabinets are constructionally proper for the Vertical Cable Management systems. The Lande 800 wide segment designed with highly efficient and customer friendly vertical cable management panel. Decorative Aluminium extruded snap locking front cover panel.

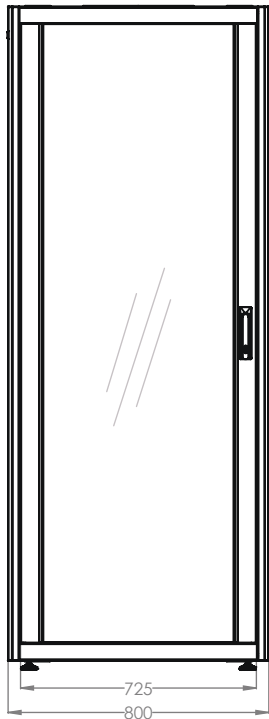
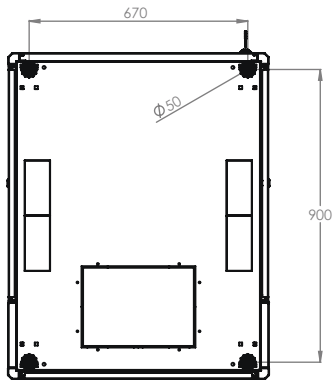


RAL 9005 Black

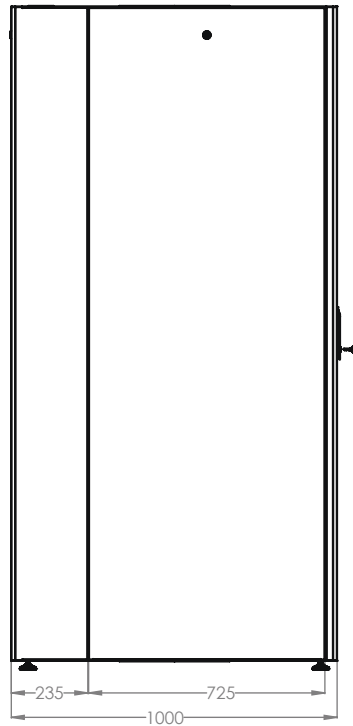


RAL 7035 Light Grey

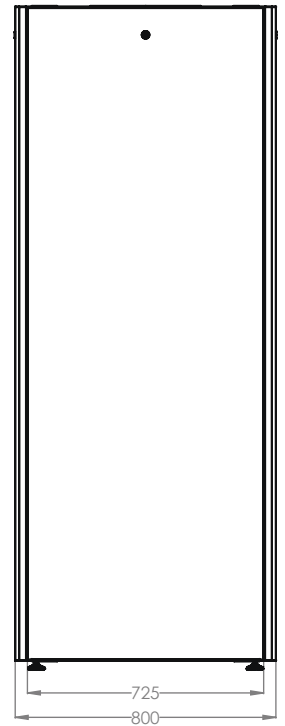
19" DYNAMIC Basic Cabinets / W:800mm D:1000mm Drawings



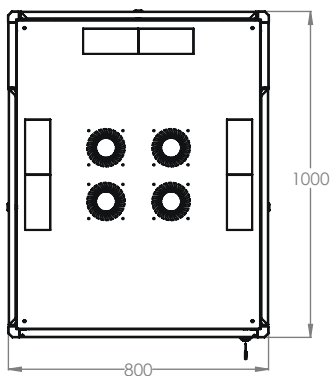
FRONT VIEW



SIDE VIEW



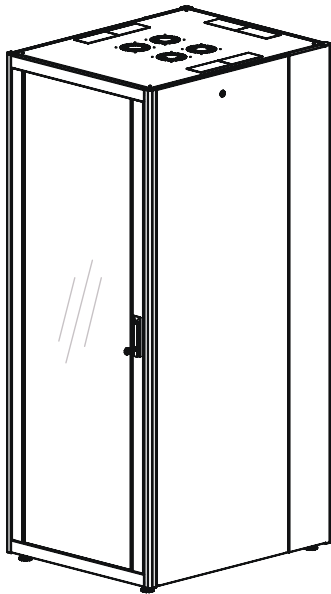
REAR VIEW



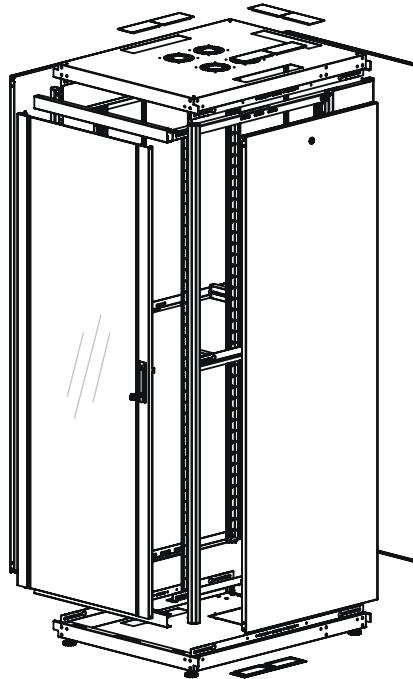
TOP VIEW

19" DYNAMIC Basic Cabinets

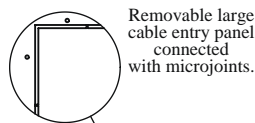
W:800mm D:1000mm Drawings



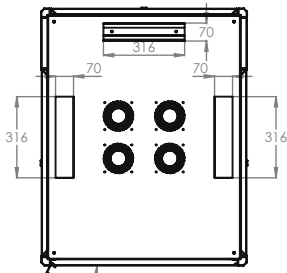
ISOMETRIC VIEW



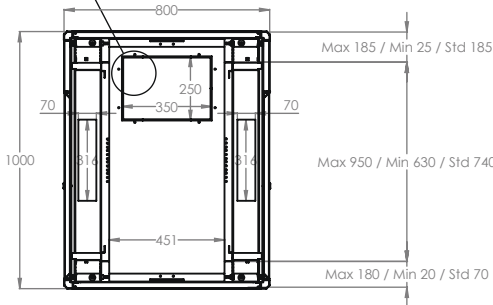
EXPLODED VIEW



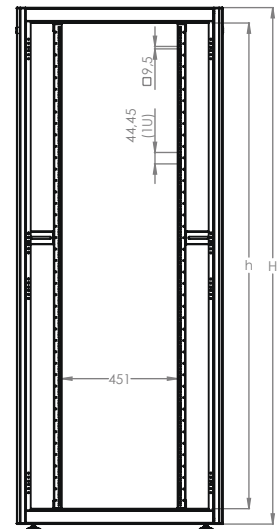
Removable large cable entry panel connected with microjoints.



FRONT DOOR OPENING ANGLE



MAX/STD/MIN EQUIPMENT MOUNTING DISTANCE



DIMENSIONS IN WIDTH AND HEIGHT

DYNAMIC Basic Series Free Standing 19" Cabinets W=800mm D=1000mm

ROOT Product Number ***	Product Description	Size WxDxH mm	HU size (U)	HU in mm	*H mm, overall without feet and/or castor	Width Overall mm	Width Rail to Rail	Depth Overall mm	**Depth Shipping Conf. Rail to Rail mm	QTY IN PACKAGE	ASSEMBLED PACKAGE DIMENSIONS WxDxH	Standard NET Weight of product kgs	Gross Weight of Products kgs
LN-DB42U8010-CC	42U 19" Free Standing Cabinet W=800mm D=1000mm Glass front, panel style rear	800x1000x2010	42U	1867	2010	800	19"	800	770	1	880x1080x2150	110	124

* Please add 30mm to H mm once used with Leveling Feet, add 80mm to H mm once used with castor set. ** See min and max Adjustable depth variations on drawings.

*** CC= LG for Light Grey RAL 7035 & BL for Black RAL 9005 for customers to define while ordering.

**** Unless defined delivery is in Flat Pack, Please add A notation to The Part number for assembled delivery ie. LN-DB42U8010-CC-A

***** The Logistical information provided in above chart is based on assembled product since packing details of flat-pack is changing based on transport vehicle and the delivery location. Please consider delivery notes, packing lists and recent data provided with the logistics services of Lande.